



The reliable wastewater and sewage pump for household and groundwater drainage.

The Wilo-Rexa MINI3 is the ideal submersible pump for standard sewage in site drainage and domestic situations. Its 40mm free ball passage makes it suitable for pumping wastewater and sewage free of faeces. The pump can be used flexibly for both stationary and portable wet well installations. If the pump is installed in the DrainLift WS 50 pump chamber, sewage with faeces can be pumped: the system has an approval according to EN 12050-1. The optimised hydraulics provide high levels of reliability for universal application in the pumping of a diverse range of fluids. Its compact design means it can even be installed in narrow drainage pits. The oil-filled sealing chamber and a double seal allow for longer maintenance intervals. Direct access to the most important components makes carrying out maintenance work very convenient.

Recommended services



Commissioning



Wilo-Live Assistant



Maintenance

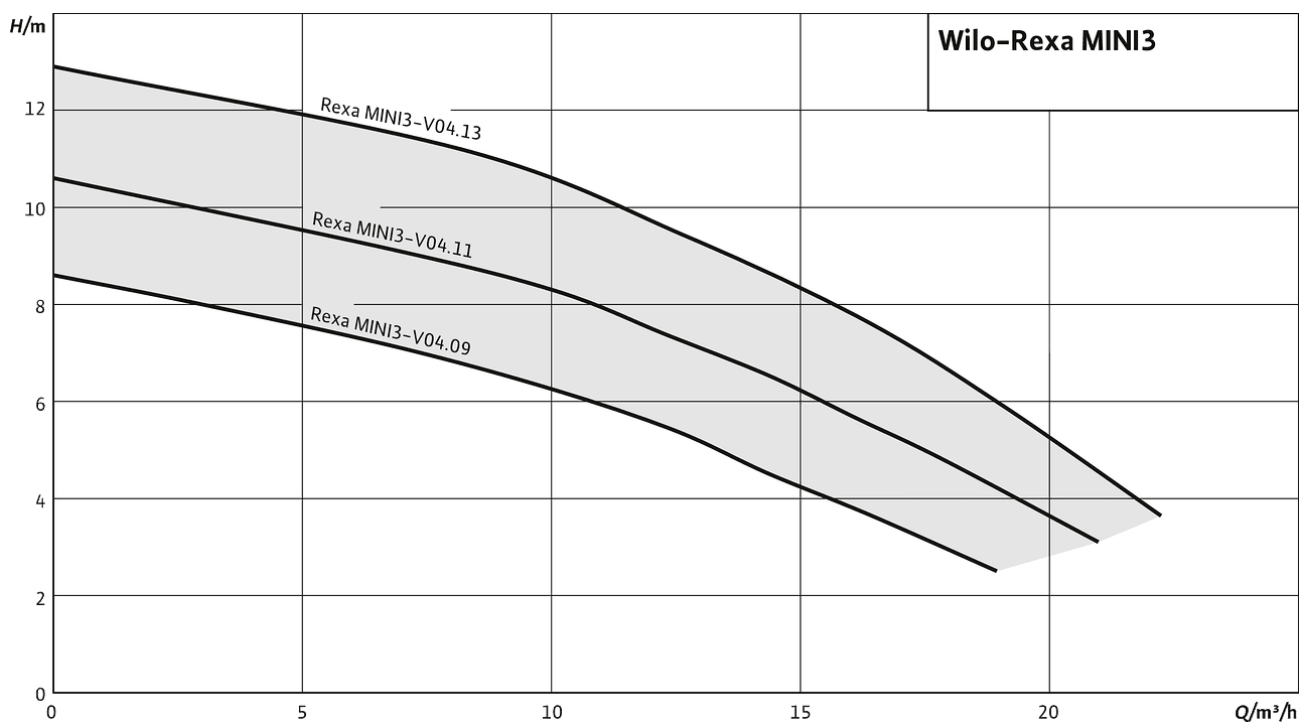
Your advantages

- > High efficiency and operational reliability thanks to the optimised hydraulics
- > Easy installation – even in narrow drainage pits – thanks to its lightweight, compact design with integrated condenser and threaded flange
- > Reliable use in a variety of drainage applications thanks to the corrosion-free impeller and sealed cable inlet
- > Longer maintenance intervals thanks to the high-volume sealing chamber and double seal
- > Quick maintenance facilitated by direct access to the sealing chamber and pump housing



Product features

- 1 Flexible float switch
- 2 Automatic switch on/off
- 3 Special Vortex impeller
- 4 Ø 40mm free ball passage
- 5 Cast iron pump housing
- 6 Oil chamber with mechanical seal and two oil seals



Design

Submersible pump for stationary and portable wet well installation in intermittent operation.

Liquids

For the pumping in domestic areas of:

- > Sewage not containing faeces
- > Wastewater (with small amounts of sand and gravel)

Note: Sewage containing faeces can be pumped when the pump is installed in the DrainLift WS 50 pump chamber. The system has been approved in accordance with EN 12050-1.

Equipment/function

- > Self-switching thermal motor monitoring
- > Single-phase AC motor with integrated capacitor
- > Attached float switch (version A)

Typekey

Example: **Wilo-Rexa MINI3-V04.11/M06-523/A-5M**

Rexa	Submersible sewage pump
MINI3	Series
V	Vortex impeller
04	Nominal diameter discharge connection G 1½ IG
11	Max. delivery head in m Mains connection version:
M	> M = single-phase current (1~) > T = three-phase current (3~)
06	Value/10 = rated power P in kW Mains frequency:
5	> 5 = 50 Hz > 6 = 60 Hz
23	Rated voltage code Additional electrical equipment:
A	> O = with bare cable end > P = with plug > A = with plug and float switch
5M	Connection cable length

Technical data

- > Mains connection: 1~230 V, 50 Hz or 3~400 V, 50 Hz
- > Submerged operating mode: S1
- > Non-immersed operating mode: S3 20%
- > Protection class: IP68
- > Insulation class: F
- > Fluid temperature: 3 ... +40 °C (37 ... 104 °F)

Materials

- > Hydraulics housing: EN-GJL-200 (ASTM A48 Class 30)
- > Impeller: Composite material (PK-GF30)
- > Cover plate on suction port: Stainless steel
- > Motor housing: 1.4301 (AISI 304)
- > Seal:
 - > On pump side: C/MgSi (BXPFF)
 - > On the motor side: NBR
 - > Static: NBR
- > Shaft end: 1.4301 (AISI 304)

Construction

Rexa MINI3-V ... -P

Sewage pump with vortex impeller and vertical threaded connection. Hydraulics housing made of grey cast iron, impeller made of plastic. Surface-cooled 1~ motor with integrated operating capacitor and self-switching thermal motor monitoring. Stainless steel motor housing. Oil-filled sealing chamber with double sealing: a rotary shaft seal is installed on the motor side, a mechanical seal on the pump side. Detachable connection cable with float switch and fitted plug (CEE 7/7).

Rexa MINI3-V ... -A

Sewage pump with vortex impeller and vertical threaded connection. Hydraulics housing made of grey cast iron, impeller made of plastic. Surface-cooled 1~ motor with integrated operating capacitor and self-switching thermal motor monitoring. Stainless steel motor housing. Oil-filled sealing chamber with double sealing: a rotary shaft seal is installed on the motor side, a mechanical seal on the pump side. Detachable connection cable with fitted plug (CEE 7/7).

Rexa MINI3-V ... -O

Sewage pump with vortex impeller and vertical threaded connection. Hydraulics housing made of grey cast iron, impeller made of plastic. Surface-cooled 3~ motor with self-switching thermal motor monitoring. Stainless steel motor housing. Oil-filled sealing chamber with double sealing: a rotary shaft seal is installed on the motor side, a mechanical seal on the pump side. Detachable connection cable with bare cable end, for fixed connection to on-site controls. **Pump without float switch and plug!**

Delivery state

- > Pump
- > Installation and operating instructions

Product list

Product description	Pressure port	Rated power P_2	Connection cable length	Mains connection	Article number
Rexa MINI3-V04.09/M05-523/A-5M	G 1½	0.5 kW	5 m	1~230 V, 50 Hz	3094002
Rexa MINI3-V04.09/M05-523/A-10M	G 1½	0.5 kW	10 m	1~230 V, 50 Hz	3094009
Rexa MINI3-V04.09/M05-523/P-5M	G 1½	0.5 kW	5 m	1~230 V, 50 Hz	3094001
Rexa MINI3-V04.09/M05-523/P-10M	G 1½	0.5 kW	10 m	1~230 V, 50 Hz	3094008
Rexa MINI3-V04.09/T05-540/O-5M	G 1½	0.5 kW	5 m	3~400 V, 50 Hz	3094003
Rexa MINI3-V04.09/T05-540/O-10M	G 1½	0.5 kW	10 m	3~400 V, 50 Hz	3094010
Rexa MINI3-V04.11/M06-523/A-5M	G 1½	0.6 kW	5 m	1~230 V, 50 Hz	3094005
Rexa MINI3-V04.11/M06-523/A-10M	G 1½	0.6 kW	10 m	1~230 V, 50 Hz	3094012
Rexa MINI3-V04.11/M06-523/P-5M	G 1½	0.6 kW	5 m	1~230 V, 50 Hz	3094004
Rexa MINI3-V04.11/M06-523/P-10M	G 1½	0.6 kW	10 m	1~230 V, 50 Hz	3094011
Rexa MINI3-V04.11/T06-540/O-5M	G 1½	0.6 kW	5 m	3~400 V, 50 Hz	3094006
Rexa MINI3-V04.11/T06-540/O-10M	G 1½	0.6 kW	10 m	3~400 V, 50 Hz	3094013
Rexa MINI3-V04.13/M08-523/A-5M	G 1½	0.75 kW	5 m	1~230 V, 50 Hz	3094007

Data sheet

Hydraulic data

Maximum operating pressure p	1 bar
Pressure port	G 1½
Free ball passage of the hydraulics	40 mm
Impeller type	Vortex impeller
Max. immersion depth	2 m
Max. delivery head H_{\max}	9.0 m
Max. volume flow Q_{\max}	19.0 m ³ /h
Min. fluid temperature T_{\min}	3 °C
Max. fluid temperature T_{\max}	40 °C
Min. ambient temperature T_{\min}	3 °C
Max. ambient temperature T_{\max}	40 °C

Motor data

Mains connection	1~230 V, 50 Hz
Voltage tolerance	±10 %
Rated power P_2	0.5 kW
Power consumption $P_{1 \max}$	0.73 kW
Rated current I_N	3.3 A
Starting current I	7.2 A
Operating mode (immersed)	S1
Operating mode (non-immersed)	S3-20%
Rated speed n	2900 1/min
Power factor $\cos \phi$	0.99
Activation type	Direct online (DOL)
Number of poles	2
Max. switching frequency t	30 1/h
Insulation class	F
Protection class motor	IP68

Cable

Connection cable length	5 m
Cable type	H07RN-F
Cable cross-section	3G1 mm ²
Type of connection cable	Detachable

Equipment/function

Mains plug	CEE7/7 (Schuko)
Float switch	yes
Macerator	no
Explosion protection type	-
Motor protection	Bimetall
Motor, leakage detection	no
Sealing chamber, leakage detection	no
Leakage chamber, leakage detection	no

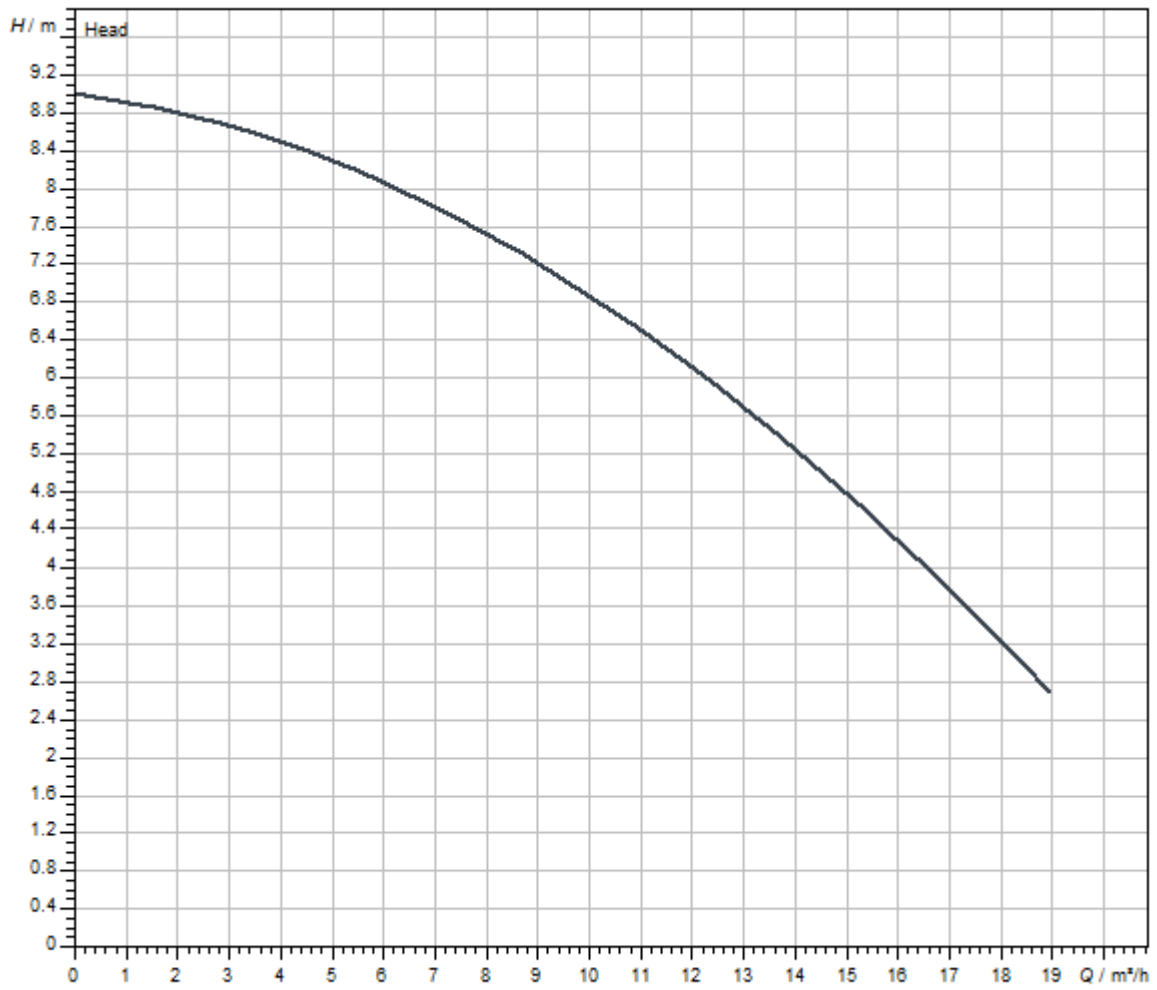
Materials

Pump housing	Cast iron
Impeller	PK-GF30
Shaft	Stainless steel
Sealing on pump side	Carbon, synthetic resin-impregnated
Gasket material	NBR
Motor housing	Stainless steel

Installation dimensions

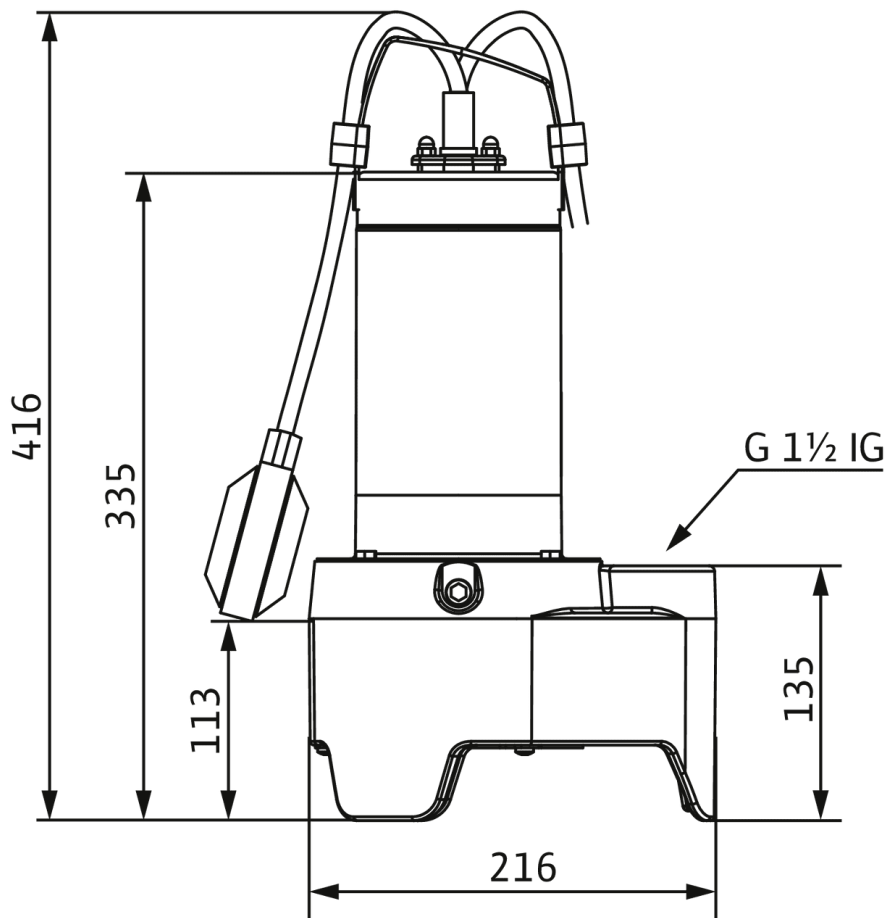
Inlet connection	-
Outlet connection	G 1½

Pump curves



Dimensions and dimensions drawings

Wilo-Rexa MINI3



Ordering information

Product data

Brand	Wilo
Product description	Rexa MINI3-V04.09/M05-523/A-5M
Article number	3094002
EAN number	4048482948690
Colour	silver/black
Minimum order quantity	1
Date of sales availability	2019-09-02

Dimension, weight

Length with packaging	250 mm
Length <i>L</i>	216 mm
Height with packaging	530 mm
Height <i>H</i>	416 mm
Width with packaging	210 mm
Width <i>W</i>	164 mm
Gross weight, approx. <i>m</i>	14 kg
Net weight, approx. <i>m</i>	13 kg

Packaging

Number per layer	15
Packaging property	Sales packaging
Packaging type	Euro pallet
Pieces per pallet	30

Tender text

Submersible pump for stationary and portable wet well installation in intermittent operation.

For the pumping in domestic areas of:

- > Sewage not containing faeces
- > Wastewater (with small amounts of sand and gravel)

Sewage pump with vortex impeller and vertical threaded connection. Hydraulics housing made of grey cast iron, impeller made of plastic. Surface-cooled 1~ motor with integrated operating capacitor and self-switching thermal motor monitoring. Stainless steel motor housing. Oil-filled sealing chamber with double sealing: a rotary shaft seal is installed on the motor side, a mechanical seal on the pump side. Detachable

connection cable with float switch and fitted plug (CEE 7/7).

Note: Sewage containing faeces can be pumped when the pump is installed in the DrainLift WS 50 pump chamber. The system has been approved in accordance with EN 12050-1.

Operating Data

Max. delivery head H	9 m
------------------------	-----

Product data

Impeller type	Vortex impeller
Free ball passage of the hydraulics	40 mm
Maximum operating pressure P_N	1 bar
Max. immersion depth	2 m
Fluid temperature T	3 °C

Motor data

Motor design	Submersible motor acc. IEC 60034-1
Mains connection	1~230 V, 50 Hz
Voltage tolerance	±10 %
Rated power P_2	0.5 kW
Power consumption $P_{1\max}$	0.73 kW
Rated current I_N	3,3 A
Activation type	Direct online (DOL)
Number of poles	2
Rated speed n	2900 1/min
Max. switching frequency t	30 1/h
Insulation class	F
Protection class	IP68
Operating mode (immersed)	S1
Operating mode (non-immersed)	S3-20%

Cable

Connection cable length	5 m
Cable type	H07RN-F
Cable cross-section	3G1 mm ²
Mains plug	CEE7/7 (Schuko)
Type of connection cable	Detachable

Equipment/function

Float switch	yes
Macerator	no
Explosion protection type	-
Motor protection	Bimetall

Materials

Pump housing	Cast iron
Impeller	PK-GF30
Shaft	Stainless steel
Sealing on pump side	BXPFF
Sealing on motor side	NBR
Gasket material	NBR
Motor housing	Stainless steel

Installation dimensions

Pipe connection on the suction side <i>DN_s</i>	-
Pipe connection on the discharge side <i>DN_d</i>	G 1½

Ordering information

Brand	Wilo
Product description	Rexa MINI3-V04.09/M05-523/A-5M
Net weight, approx. <i>m</i>	13 kg
Article number	3094002

Data sheet

Hydraulic data

Maximum operating pressure p	1 bar
Pressure port	G 1½
Free ball passage of the hydraulics	40 mm
Impeller type	Vortex impeller
Max. immersion depth	7 m
Max. delivery head H_{\max}	9.0 m
Max. volume flow Q_{\max}	19.0 m ³ /h
Min. fluid temperature T_{\min}	3 °C
Max. fluid temperature T_{\max}	40 °C
Min. ambient temperature T_{\min}	3 °C
Max. ambient temperature T_{\max}	40 °C

Motor data

Mains connection	1~230 V, 50 Hz
Voltage tolerance	±10 %
Rated power P_2	0.5 kW
Power consumption $P_{1 \max}$	0.73 kW
Rated current I_N	3.3 A
Starting current I	7.2 A
Operating mode (immersed)	S1
Operating mode (non-immersed)	S3-20%
Rated speed n	2900 1/min
Power factor $\cos \phi$	0.99
Activation type	Direct online (DOL)
Number of poles	2
Max. switching frequency t	30 1/h
Insulation class	F
Protection class motor	IP68

Cable

Connection cable length	10 m
Cable type	H07RN-F
Cable cross-section	3G1 mm ²
Type of connection cable	Detachable

Equipment/function

Mains plug	CEE7/7 (Schuko)
Float switch	yes
Macerator	no
Explosion protection type	-
Motor protection	Bimetall
Motor, leakage detection	no
Sealing chamber, leakage detection	no
Leakage chamber, leakage detection	no

Materials

Pump housing	Cast iron
Impeller	PK-GF30
Shaft	Stainless steel
Sealing on pump side	Carbon, synthetic resin-impregnated
Gasket material	NBR
Motor housing	Stainless steel

Installation dimensions

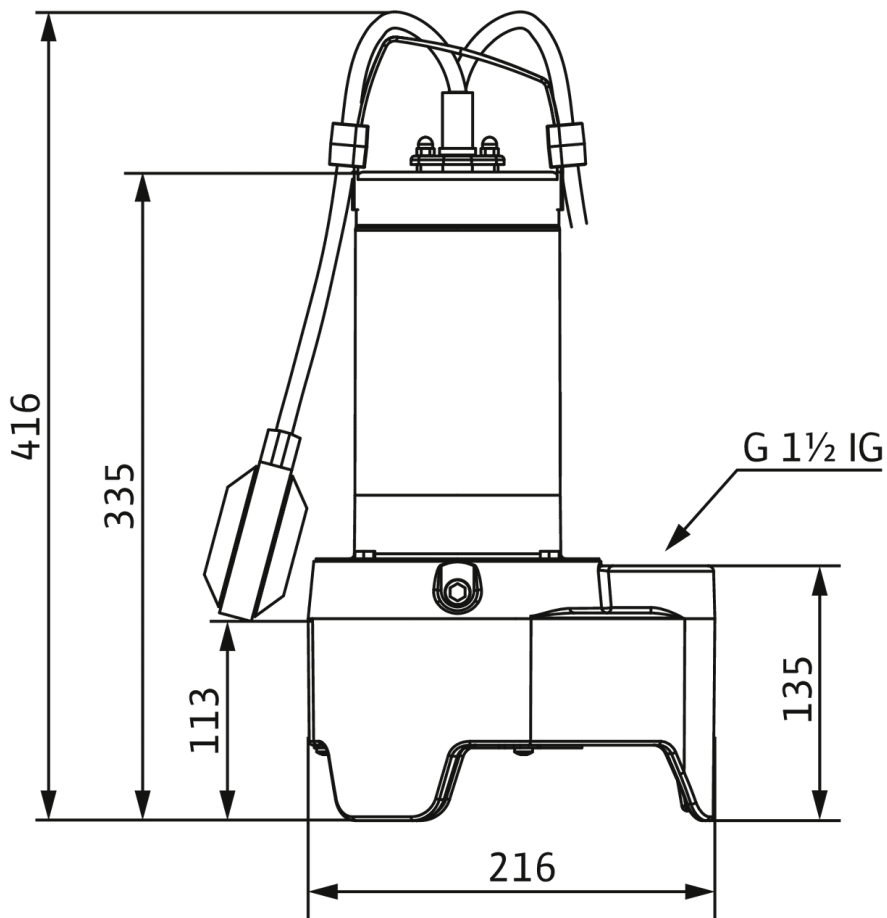
Inlet connection	-
Outlet connection	G 1½

Pump curves



Dimensions and dimensions drawings

Wilo-Rexa MINI3



Ordering information

Product data

Brand	Wilo
Product description	Rexa MINI3-V04.09/M05-523/A-10M
Article number	3094009
EAN number	4048482948768
Colour	silver/black
Minimum order quantity	1
Date of sales availability	2019-09-02

Dimension, weight

Length with packaging	250 mm
Length <i>L</i>	216 mm
Height with packaging	530 mm
Height <i>H</i>	416 mm
Width with packaging	210 mm
Width <i>W</i>	164 mm
Gross weight, approx. <i>m</i>	15 kg
Net weight, approx. <i>m</i>	14 kg

Packaging

Number per layer	15
Packaging property	Sales packaging
Packaging type	Euro pallet
Pieces per pallet	30

Tender text

Submersible pump for stationary and portable wet well installation in intermittent operation.

For the pumping in domestic areas of:

- > Sewage not containing faeces
- > Wastewater (with small amounts of sand and gravel)

Sewage pump with vortex impeller and vertical threaded connection. Hydraulics housing made of grey cast iron, impeller made of plastic. Surface-cooled 1~ motor with integrated operating capacitor and self-switching thermal motor monitoring. Stainless steel motor housing. Oil-filled sealing chamber with double sealing: a rotary shaft seal is installed on the motor side, a mechanical seal on the pump side. Detachable

connection cable with float switch and fitted plug (CEE 7/7).

Note: Sewage containing faeces can be pumped when the pump is installed in the DrainLift WS 50 pump chamber. The system has been approved in accordance with EN 12050-1.

Operating Data

Max. delivery head H	9 m
------------------------	-----

Product data

Impeller type	Vortex impeller
Free ball passage of the hydraulics	40 mm
Maximum operating pressure P_N	1 bar
Max. immersion depth	7 m
Fluid temperature T	3 °C

Motor data

Motor design	Submersible motor acc. IEC 60034-1
Mains connection	1~230 V, 50 Hz
Voltage tolerance	±10 %
Rated power P_2	0.5 kW
Power consumption $P_{1\max}$	0.73 kW
Rated current I_N	3,3 A
Activation type	Direct online (DOL)
Number of poles	2
Rated speed n	2900 1/min
Max. switching frequency t	30 1/h
Insulation class	F
Protection class	IP68
Operating mode (immersed)	S1
Operating mode (non-immersed)	S3-20%

Cable

Connection cable length	10 m
Cable type	H07RN-F
Cable cross-section	3G1 mm ²
Mains plug	CEE7/7 (Schuko)
Type of connection cable	Detachable

Equipment/function

Float switch	yes
Macerator	no
Explosion protection type	-
Motor protection	Bimetall

Materials

Pump housing	Cast iron
Impeller	PK-GF30
Shaft	Stainless steel
Sealing on pump side	BXPFF
Sealing on motor side	NBR
Gasket material	NBR
Motor housing	Stainless steel

Installation dimensions

Pipe connection on the suction side <i>DN_s</i>	-
Pipe connection on the discharge side <i>DN_d</i>	G 1½

Ordering information

Brand	Wilo
Product description	Rexa MINI3-V04.09/M05-523/A-10M
Net weight, approx. <i>m</i>	14 kg
Article number	3094009

Data sheet

Hydraulic data

Maximum operating pressure p	1 bar
Pressure port	G 1½
Free ball passage of the hydraulics	40 mm
Impeller type	Vortex impeller
Max. immersion depth	2 m
Max. delivery head H_{\max}	9.0 m
Max. volume flow Q_{\max}	19.0 m ³ /h
Min. fluid temperature T_{\min}	3 °C
Max. fluid temperature T_{\max}	40 °C
Min. ambient temperature T_{\min}	3 °C
Max. ambient temperature T_{\max}	40 °C

Motor data

Mains connection	1~230 V, 50 Hz
Voltage tolerance	±10 %
Rated power P_2	0.5 kW
Power consumption $P_{1 \max}$	0.73 kW
Rated current I_N	3.3 A
Starting current I	7.2 A
Operating mode (immersed)	S1
Operating mode (non-immersed)	S3-20%
Rated speed n	2900 1/min
Power factor $\cos \phi$	0.99
Activation type	Direct online (DOL)
Number of poles	2
Max. switching frequency t	30 1/h
Insulation class	F
Protection class motor	IP68

Cable

Connection cable length	5 m
Cable type	H07RN-F
Cable cross-section	3G1 mm ²
Type of connection cable	Detachable

Equipment/function

Mains plug	CEE7/7 (Schuko)
Float switch	no
Macerator	no
Explosion protection type	-
Motor protection	Bimetall
Motor, leakage detection	no
Sealing chamber, leakage detection	no
Leakage chamber, leakage detection	no

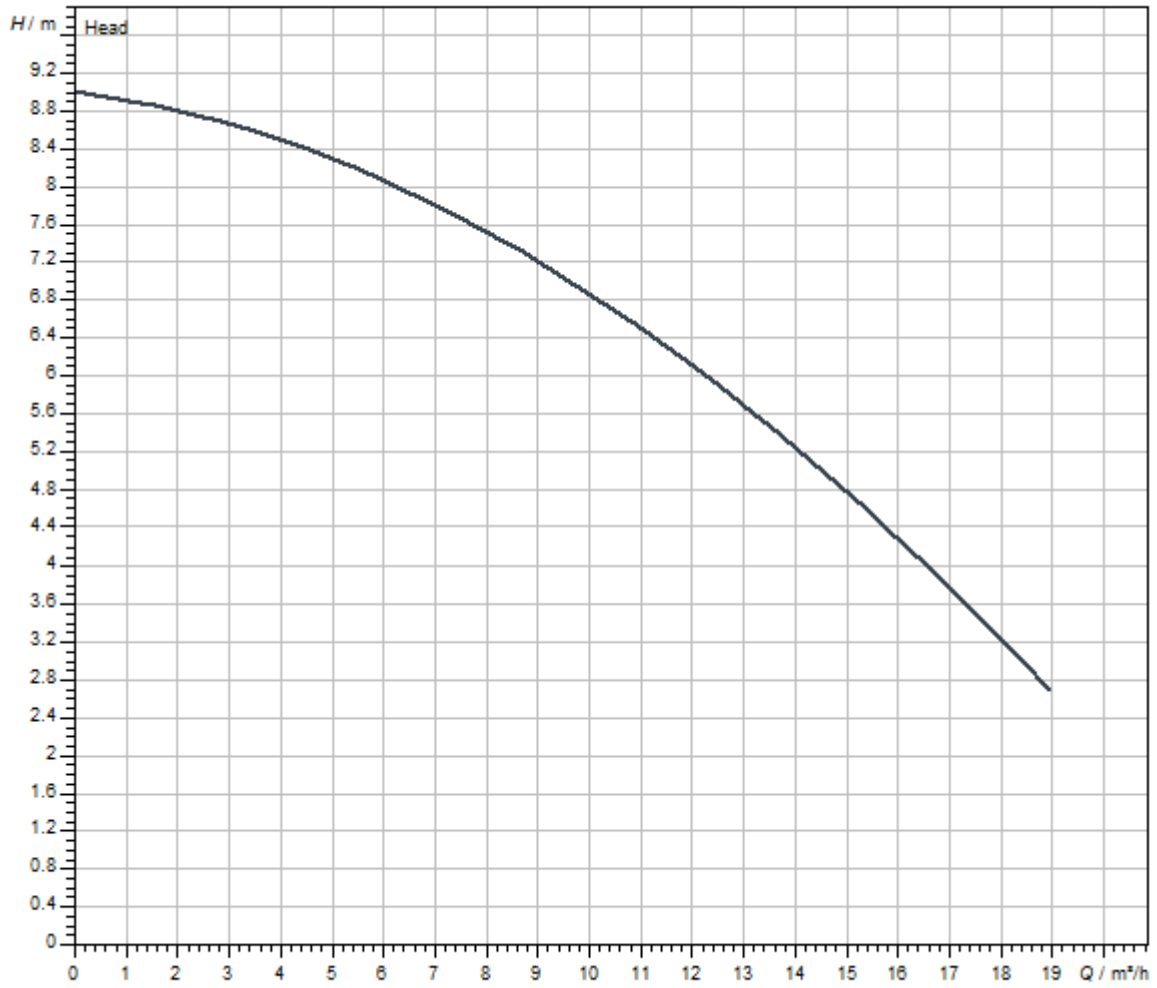
Materials

Pump housing	Cast iron
Impeller	PK-GF30
Shaft	Stainless steel
Sealing on pump side	Carbon, synthetic resin-impregnated
Gasket material	NBR
Motor housing	Stainless steel

Installation dimensions

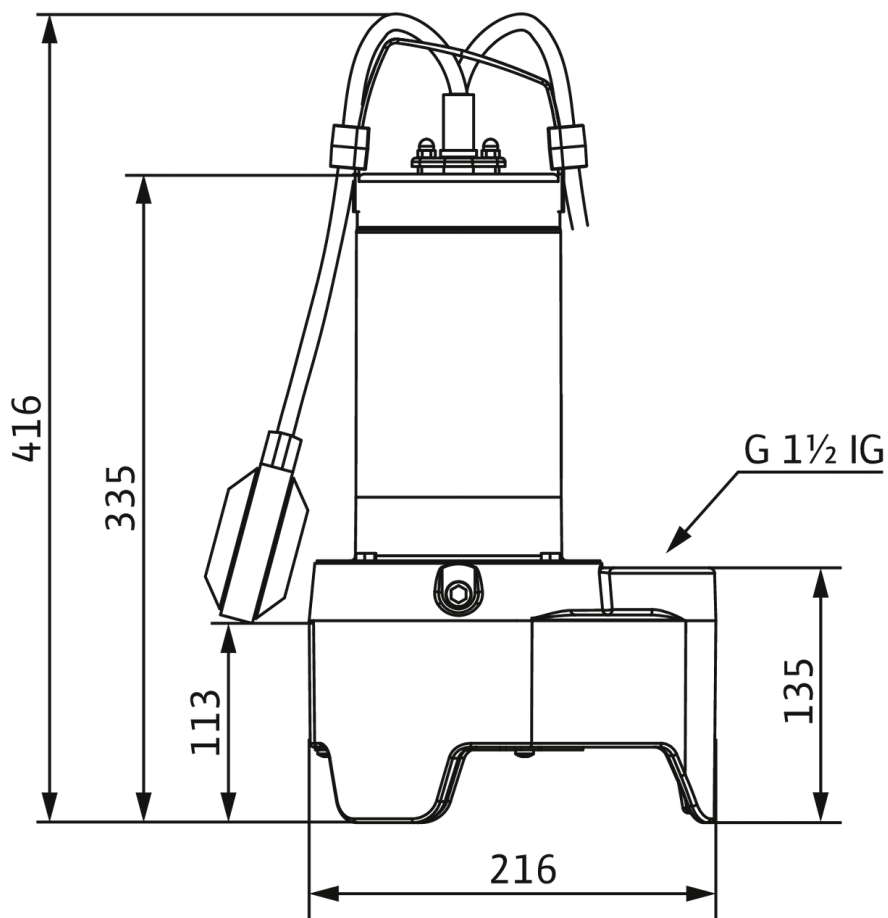
Inlet connection	-
Outlet connection	G 1½

Pump curves



Dimensions and dimensions drawings

Wilo-Rexa MINI3



Ordering information

Product data

Brand	Wilo
Product description	Rexa MINI3-V04.09/M05-523/P-5M
Article number	3094001
EAN number	4048482948683
Colour	silver/black
Minimum order quantity	1
Date of sales availability	2019-09-02

Dimension, weight

Length with packaging	250 mm
Length <i>L</i>	216 mm
Height with packaging	530 mm
Height <i>H</i>	416 mm
Width with packaging	210 mm
Width <i>W</i>	164 mm
Gross weight, approx. <i>m</i>	14 kg
Net weight, approx. <i>m</i>	13 kg

Packaging

Number per layer	15
Packaging property	Sales packaging
Packaging type	Euro pallet
Pieces per pallet	30

Tender text

Submersible pump for stationary and portable wet well installation in intermittent operation.

For the pumping in domestic areas of:

- > Sewage not containing faeces
- > Wastewater (with small amounts of sand and gravel)

Sewage pump with vortex impeller and vertical threaded connection. Hydraulics housing made of grey cast iron, impeller made of plastic. Surface-cooled 1~ motor with integrated operating capacitor and self-switching thermal motor monitoring. Stainless steel motor housing. Oil-filled sealing chamber with double sealing: a rotary shaft seal is installed on the motor side, a

mechanical seal on the pump side. Detachable connection cable with fitted plug (CEE 7/7).

Note: Sewage containing faeces can be pumped when the pump is installed in the DrainLift WS 50 pump chamber. The system has been approved in accordance with EN 12050-1.

Operating Data

Max. delivery head H	9 m
------------------------	-----

Product data

Impeller type	Vortex impeller
Free ball passage of the hydraulics	40 mm
Maximum operating pressure P_N	1 bar
Max. immersion depth	2 m
Fluid temperature T	3 °C

Motor data

Motor design	Submersible motor acc. IEC 60034-1
Mains connection	1~230 V, 50 Hz
Voltage tolerance	±10 %
Rated power P_2	0.5 kW
Power consumption $P_{1\max}$	0.73 kW
Rated current I_N	3.3 A
Activation type	Direct online (DOL)
Number of poles	2
Rated speed n	2900 1/min
Max. switching frequency t	30 1/h
Insulation class	F
Protection class	IP68
Operating mode (immersed)	S1
Operating mode (non-immersed)	S3-20%

Cable

Connection cable length	5 m
Cable type	H07RN-F
Cable cross-section	3G1 mm ²
Mains plug	CEE7/7 (Schuko)
Type of connection cable	Detachable

Equipment/function

Float switch	no
Macerator	no
Explosion protection type	-
Motor protection	Bimetall

Materials

Pump housing	Cast iron
Impeller	PK-GF30
Shaft	Stainless steel
Sealing on pump side	BXPFF
Sealing on motor side	NBR
Gasket material	NBR
Motor housing	Stainless steel

Installation dimensions

Pipe connection on the suction side <i>DN_s</i>	-
Pipe connection on the discharge side <i>DN_d</i>	G 1½

Ordering information

Brand	Wilo
Product description	Rexa MINI3-V04.09/M05-523/P-5M
Net weight, approx. <i>m</i>	13 kg
Article number	3094001

Data sheet

Hydraulic data

Maximum operating pressure p	1 bar
Pressure port	G 1½
Free ball passage of the hydraulics	40 mm
Impeller type	Vortex impeller
Max. immersion depth	7 m
Max. delivery head H_{\max}	9.0 m
Max. volume flow Q_{\max}	19.0 m ³ /h
Min. fluid temperature T_{\min}	3 °C
Max. fluid temperature T_{\max}	40 °C
Min. ambient temperature T_{\min}	3 °C
Max. ambient temperature T_{\max}	40 °C

Motor data

Mains connection	1~230 V, 50 Hz
Voltage tolerance	±10 %
Rated power P_2	0.5 kW
Power consumption $P_{1 \max}$	0.73 kW
Rated current I_N	3.3 A
Starting current I	7.2 A
Operating mode (immersed)	S1
Operating mode (non-immersed)	S3-20%
Rated speed n	2900 1/min
Power factor $\cos \phi$	0.99
Activation type	Direct online (DOL)
Number of poles	2
Max. switching frequency t	30 1/h
Insulation class	F
Protection class motor	IP68

Cable

Connection cable length	10 m
Cable type	H07RN-F
Cable cross-section	3G1 mm ²
Type of connection cable	Detachable

Equipment/function

Mains plug	CEE7/7 (Schuko)
Float switch	no
Macerator	no
Explosion protection type	-
Motor protection	Bimetall
Motor, leakage detection	no
Sealing chamber, leakage detection	no
Leakage chamber, leakage detection	no

Materials

Pump housing	Cast iron
Impeller	PK-GF30
Shaft	Stainless steel
Sealing on pump side	Carbon, synthetic resin-impregnated
Gasket material	NBR
Motor housing	Stainless steel

Installation dimensions

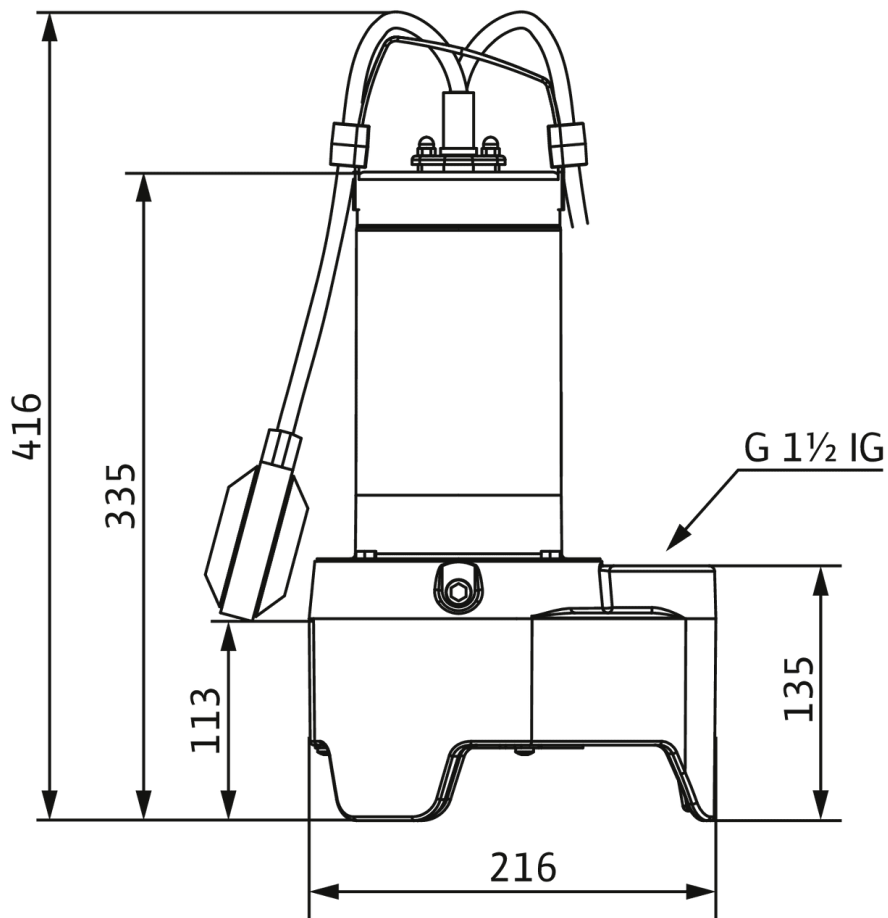
Inlet connection	-
Outlet connection	G 1½

Pump curves



Dimensions and dimensions drawings

Wilo-Rexa MINI3



Ordering information

Product data

Brand	Wilo
Product description	Rexa MINI3-V04.09/M05-523/P-10M
Article number	3094008
EAN number	4048482948751
Colour	silver/black
Minimum order quantity	1
Date of sales availability	2019-09-02

Dimension, weight

Length with packaging	250 mm
Length <i>L</i>	216 mm
Height with packaging	530 mm
Height <i>H</i>	416 mm
Width with packaging	210 mm
Width <i>W</i>	164 mm
Gross weight, approx. <i>m</i>	15 kg
Net weight, approx. <i>m</i>	14 kg

Packaging

Number per layer	15
Packaging property	Sales packaging
Packaging type	Euro pallet
Pieces per pallet	30

Tender text

Submersible pump for stationary and portable wet well installation in intermittent operation.

For the pumping in domestic areas of:

- > Sewage not containing faeces
- > Wastewater (with small amounts of sand and gravel)

Sewage pump with vortex impeller and vertical threaded connection. Hydraulics housing made of grey cast iron, impeller made of plastic. Surface-cooled 1~ motor with integrated operating capacitor and self-switching thermal motor monitoring. Stainless steel motor housing. Oil-filled sealing chamber with double sealing: a rotary shaft seal is installed on the motor side, a

mechanical seal on the pump side. Detachable connection cable with fitted plug (CEE 7/7).

Note: Sewage containing faeces can be pumped when the pump is installed in the DrainLift WS 50 pump chamber. The system has been approved in accordance with EN 12050-1.

Operating Data

Max. delivery head H	9 m
------------------------	-----

Product data

Impeller type	Vortex impeller
Free ball passage of the hydraulics	40 mm
Maximum operating pressure P_N	1 bar
Max. immersion depth	7 m
Fluid temperature T	3 °C

Motor data

Motor design	Submersible motor acc. IEC 60034-1
Mains connection	1~230 V, 50 Hz
Voltage tolerance	±10 %
Rated power P_2	0.5 kW
Power consumption $P_{1\max}$	0.73 kW
Rated current I_N	3.3 A
Activation type	Direct online (DOL)
Number of poles	2
Rated speed n	2900 1/min
Max. switching frequency t	30 1/h
Insulation class	F
Protection class	IP68
Operating mode (immersed)	S1
Operating mode (non-immersed)	S3-20%

Cable

Connection cable length	10 m
Cable type	H07RN-F
Cable cross-section	3G1 mm ²
Mains plug	CEE7/7 (Schuko)
Type of connection cable	Detachable

Equipment/function

Float switch	no
Macerator	no
Explosion protection type	-
Motor protection	Bimetall

Materials

Pump housing	Cast iron
Impeller	PK-GF30
Shaft	Stainless steel
Sealing on pump side	BXPFF
Sealing on motor side	NBR
Gasket material	NBR
Motor housing	Stainless steel

Installation dimensions

Pipe connection on the suction side <i>DN_s</i>	-
Pipe connection on the discharge side <i>DN_d</i>	G 1½

Ordering information

Brand	Wilo
Product description	Rexa MINI3-V04.09/M05-523/P-10M
Net weight, approx. <i>m</i>	14 kg
Article number	3094008

Data sheet

Hydraulic data

Maximum operating pressure p	1 bar
Pressure port	G 1½
Free ball passage of the hydraulics	40 mm
Impeller type	Vortex impeller
Max. immersion depth	2 m
Max. delivery head H_{\max}	9.0 m
Max. volume flow Q_{\max}	19.1 m ³ /h
Min. fluid temperature T_{\min}	3 °C
Max. fluid temperature T_{\max}	40 °C
Min. ambient temperature T_{\min}	3 °C
Max. ambient temperature T_{\max}	40 °C

Motor data

Mains connection	3~400 V, 50 Hz
Voltage tolerance	±10 %
Rated power P_2	0.5 kW
Power consumption $P_{1 \max}$	0.66 kW
Rated current I_N	1.3 A
Starting current I	5.4 A
Operating mode (immersed)	S1
Operating mode (non-immersed)	S3-20%
Rated speed n	2900 1/min
Power factor $\cos \phi$	0.80
Activation type	Direct online (DOL)
Number of poles	2
Max. switching frequency t	30 1/h
Insulation class	F
Protection class motor	IP68

Cable

Connection cable length	5 m
Cable type	H07RN-F
Cable cross-section	4G1 mm ²
Type of connection cable	Detachable

Equipment/function

Mains plug	no
Float switch	no
Macerator	no
Explosion protection type	-
Motor protection	Bimetall
Motor, leakage detection	no
Sealing chamber, leakage detection	no
Leakage chamber, leakage detection	no

Materials

Pump housing	Cast iron
Impeller	PK-GF30
Shaft	Stainless steel
Sealing on pump side	Carbon, synthetic resin-impregnated
Gasket material	NBR
Motor housing	Stainless steel

Installation dimensions

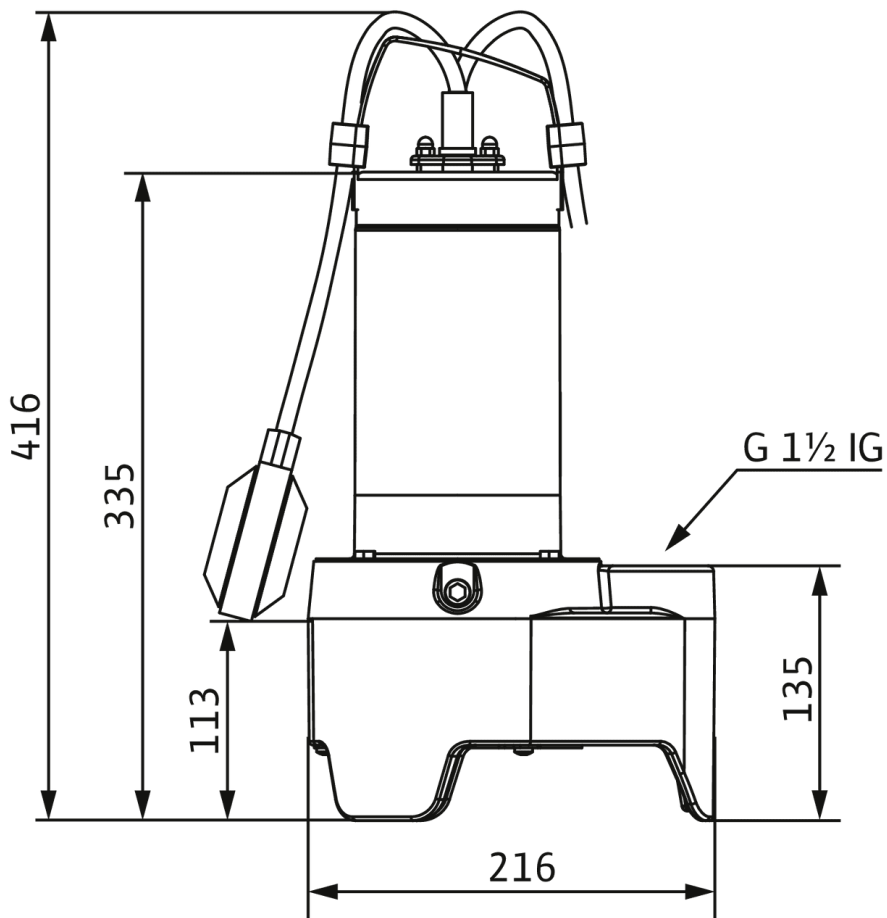
Inlet connection	-
Outlet connection	G 1½

Pump curves



Dimensions and dimensions drawings

Wilo-Rexa MINI3



Ordering information

Product data

Brand	Wilo
Product description	Rexa MINI3-V04.09/T05-540/O-5M
Article number	3094003
EAN number	4048482948706
Colour	silver/black
Minimum order quantity	1
Date of sales availability	2019-09-02

Dimension, weight

Length with packaging	250 mm
Length <i>L</i>	216 mm
Height with packaging	530 mm
Height <i>H</i>	416 mm
Width with packaging	210 mm
Width <i>W</i>	164 mm
Gross weight, approx. <i>m</i>	14 kg
Net weight, approx. <i>m</i>	13 kg

Packaging

Number per layer	15
Packaging property	Sales packaging
Packaging type	Euro pallet
Pieces per pallet	30

Tender text

Submersible pump for stationary and portable wet well installation in intermittent operation.

For the pumping in domestic areas of:

- > Sewage not containing faeces
- > Wastewater (with small amounts of sand and gravel)

Sewage pump with vortex impeller and vertical threaded connection. Hydraulics housing made of grey cast iron, impeller made of plastic. Surface-cooled 3~ motor with self-switching thermal motor monitoring. Stainless steel motor housing. Oil-filled sealing chamber with double sealing: a rotary shaft seal is installed on the motor side, a mechanical seal on the pump side. Detachable connection cable with bare cable end, for fixed

connection to on-site controls. **Pump without float switch and plug!**

Note: Sewage containing faeces can be pumped when the pump is installed in the DrainLift WS 50 pump chamber. The system has been approved in accordance with EN 12050-1.

Operating Data

Max. delivery head H	9 m
------------------------	-----

Product data

Impeller type	Vortex impeller
Free ball passage of the hydraulics	40 mm
Maximum operating pressure P_N	1 bar
Max. immersion depth	2 m
Fluid temperature T	3 °C

Motor data

Motor design	Submersible motor acc. IEC 60034-1
Mains connection	3~400 V, 50 Hz
Voltage tolerance	±10 %
Rated power P_2	0.5 kW
Power consumption $P_{1\max}$	0.66 kW
Rated current I_N	1.3 A
Activation type	Direct online (DOL)
Number of poles	2
Rated speed n	2900 1/min
Max. switching frequency t	30 1/h
Insulation class	F
Protection class	IP68
Operating mode (immersed)	S1
Operating mode (non-immersed)	S3-20%

Cable

Connection cable length	5 m
Cable type	H07RN-F
Cable cross-section	4G1 mm ²
Mains plug	no
Type of connection cable	Detachable

Equipment/function

Float switch	no
Macerator	no
Explosion protection type	-
Motor protection	Bimetall

Materials

Pump housing	Cast iron
Impeller	PK-GF30
Shaft	Stainless steel
Sealing on pump side	BXPFF
Sealing on motor side	NBR
Gasket material	NBR
Motor housing	Stainless steel

Installation dimensions

Pipe connection on the suction side <i>DN_s</i>	-
Pipe connection on the discharge side <i>DN_d</i>	G 1½

Ordering information

Brand	Wilo
Product description	Rexa MINI3-V04.09/T05-540/O-5M
Net weight, approx. <i>m</i>	13 kg
Article number	3094003

Data sheet

Hydraulic data

Maximum operating pressure p	1 bar
Pressure port	G 1½
Free ball passage of the hydraulics	40 mm
Impeller type	Vortex impeller
Max. immersion depth	7 m
Max. delivery head H_{\max}	9.0 m
Max. volume flow Q_{\max}	19.1 m ³ /h
Min. fluid temperature T_{\min}	3 °C
Max. fluid temperature T_{\max}	40 °C
Min. ambient temperature T_{\min}	3 °C
Max. ambient temperature T_{\max}	40 °C

Motor data

Mains connection	3~400 V, 50 Hz
Voltage tolerance	±10 %
Rated power P_2	0.5 kW
Power consumption $P_{1 \max}$	0.66 kW
Rated current I_N	1.3 A
Starting current I	5.4 A
Operating mode (immersed)	S1
Operating mode (non-immersed)	S3-20%
Rated speed n	2900 1/min
Power factor $\cos \phi$	0.80
Activation type	Direct online (DOL)
Number of poles	2
Max. switching frequency t	30 1/h
Insulation class	F
Protection class motor	IP68

Cable

Connection cable length	10 m
Cable type	H07RN-F
Cable cross-section	4G1 mm ²
Type of connection cable	Detachable

Equipment/function

Mains plug	no
Float switch	no
Macerator	no
Explosion protection type	-
Motor protection	Bimetall
Motor, leakage detection	no
Sealing chamber, leakage detection	no
Leakage chamber, leakage detection	no

Materials

Pump housing	Cast iron
Impeller	PK-GF30
Shaft	Stainless steel
Sealing on pump side	Carbon, synthetic resin-impregnated
Gasket material	NBR
Motor housing	Stainless steel

Installation dimensions

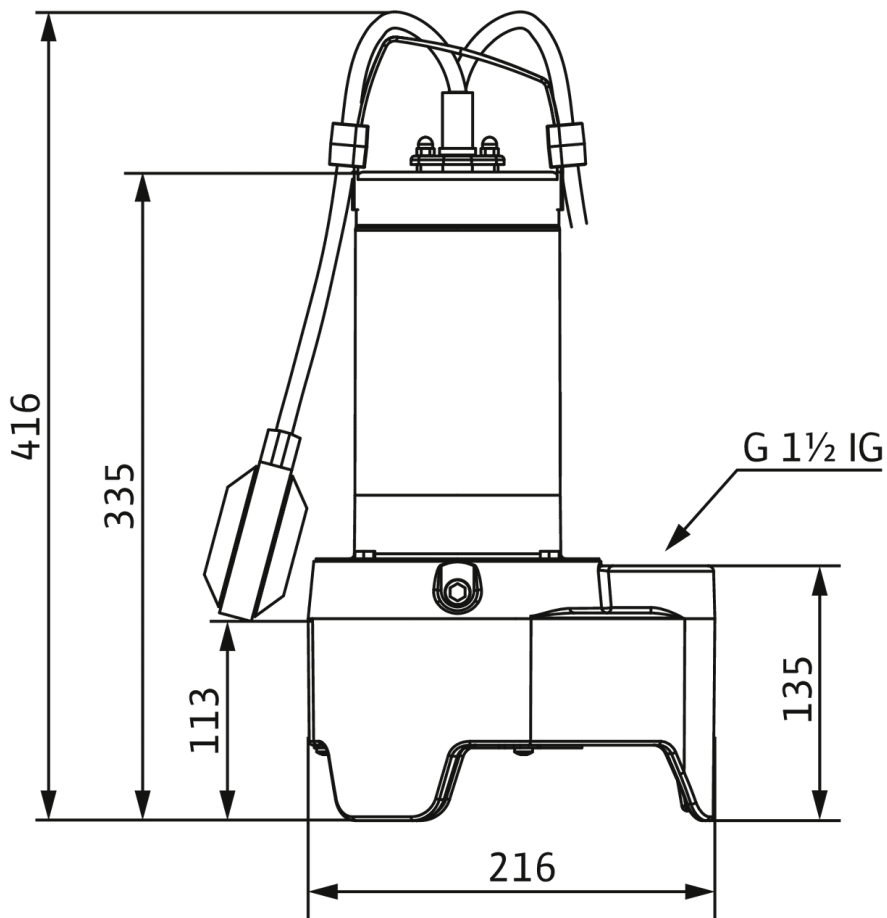
Inlet connection	-
Outlet connection	G 1½

Pump curves



Dimensions and dimensions drawings

Wilo-Rexa MINI3



Ordering information

Product data

Brand	Wilo
Product description	Rexa MINI3-V04.09/T05-540/O-10M
Article number	3094010
EAN number	4048482948775
Colour	silver/black
Minimum order quantity	1
Date of sales availability	2019-09-02

Dimension, weight

Length with packaging	250 mm
Length <i>L</i>	216 mm
Height with packaging	530 mm
Height <i>H</i>	416 mm
Width with packaging	210 mm
Width <i>W</i>	164 mm
Gross weight, approx. <i>m</i>	15 kg
Net weight, approx. <i>m</i>	14 kg

Packaging

Number per layer	15
Packaging property	Sales packaging
Packaging type	Euro pallet
Pieces per pallet	30

Tender text

Submersible pump for stationary and portable wet well installation in intermittent operation.

For the pumping in domestic areas of:

- > Sewage not containing faeces
- > Wastewater (with small amounts of sand and gravel)

Sewage pump with vortex impeller and vertical threaded connection. Hydraulics housing made of grey cast iron, impeller made of plastic. Surface-cooled 3~ motor with self-switching thermal motor monitoring. Stainless steel motor housing. Oil-filled sealing chamber with double sealing: a rotary shaft seal is installed on the motor side, a mechanical seal on the pump side. Detachable connection cable with bare cable end, for fixed

connection to on-site controls. **Pump without float switch and plug!**

Note: Sewage containing faeces can be pumped when the pump is installed in the DrainLift WS 50 pump chamber. The system has been approved in accordance with EN 12050-1.

Operating Data

Max. delivery head H	9 m
------------------------	-----

Product data

Impeller type	Vortex impeller
Free ball passage of the hydraulics	40 mm
Maximum operating pressure P_N	1 bar
Max. immersion depth	7 m
Fluid temperature T	3 °C

Motor data

Motor design	Submersible motor acc. IEC 60034-1
Mains connection	3~400 V, 50 Hz
Voltage tolerance	±10 %
Rated power P_2	0.5 kW
Power consumption $P_{1\max}$	0.66 kW
Rated current I_N	1.3 A
Activation type	Direct online (DOL)
Number of poles	2
Rated speed n	2900 1/min
Max. switching frequency t	30 1/h
Insulation class	F
Protection class	IP68
Operating mode (immersed)	S1
Operating mode (non-immersed)	S3-20%

Cable

Connection cable length	10 m
Cable type	H07RN-F
Cable cross-section	4G1 mm ²
Mains plug	no
Type of connection cable	Detachable

Equipment/function

Float switch	no
Macerator	no
Explosion protection type	-
Motor protection	Bimetall

Materials

Pump housing	Cast iron
Impeller	PK-GF30
Shaft	Stainless steel
Sealing on pump side	BXPFF
Sealing on motor side	NBR
Gasket material	NBR
Motor housing	Stainless steel

Installation dimensions

Pipe connection on the suction side <i>DN_s</i>	-
Pipe connection on the discharge side <i>DN_d</i>	G 1½

Ordering information

Brand	Wilo
Product description	Rexa MINI3-V04.09/T05-540/O-10M
Net weight, approx. <i>m</i>	14 kg
Article number	3094010

Data sheet

Hydraulic data

Maximum operating pressure p	1.2 bar
Pressure port	G 1½
Free ball passage of the hydraulics	40 mm
Impeller type	Vortex impeller
Max. immersion depth	2 m
Max. delivery head H_{\max}	11.0 m
Max. volume flow Q_{\max}	21.0 m³/h
Min. fluid temperature T_{\min}	3 °C
Max. fluid temperature T_{\max}	40 °C
Min. ambient temperature T_{\min}	3 °C
Max. ambient temperature T_{\max}	40 °C

Motor data

Mains connection	1~230 V, 50 Hz
Voltage tolerance	±10 %
Rated power P_2	0.6 kW
Power consumption $P_{1\max}$	0.93 kW
Rated current I_N	4.1 A
Starting current I	9.5 A
Operating mode (immersed)	S1
Operating mode (non-immersed)	S3-20%
Rated speed n	2900 1/min
Power factor $\cos \phi$	0.99
Activation type	Direct online (DOL)
Number of poles	2
Max. switching frequency t	30 1/h
Insulation class	F
Protection class motor	IP68

Cable

Connection cable length	5 m
Cable type	H07RN-F
Cable cross-section	3G1 mm²
Type of connection cable	Detachable

Equipment/function

Mains plug	CEE7/7 (Schuko)
Float switch	yes
Macerator	no
Explosion protection type	-
Motor protection	Bimetall
Motor, leakage detection	no
Sealing chamber, leakage detection	no
Leakage chamber, leakage detection	no

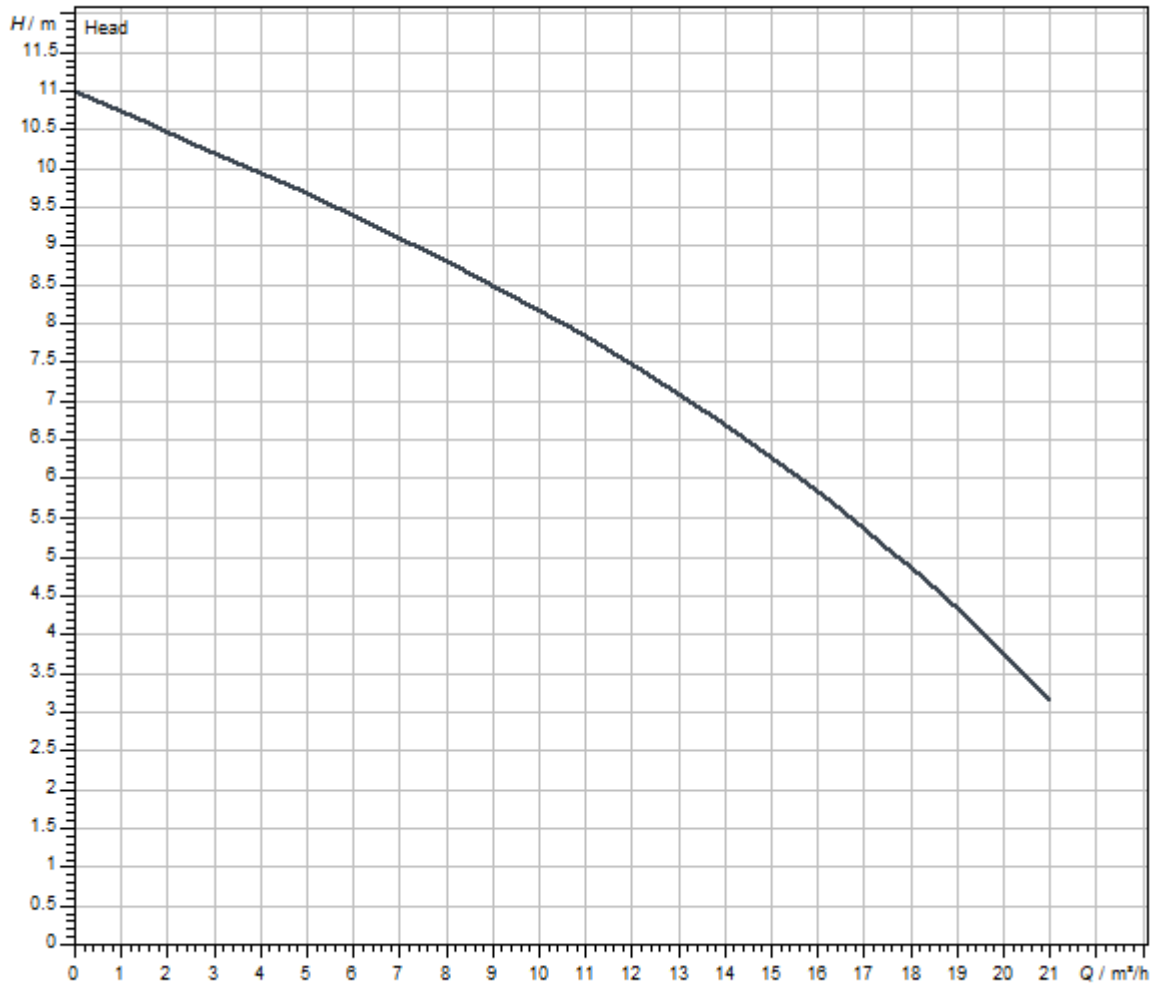
Materials

Pump housing	Cast iron
Impeller	PK-GF30
Shaft	Stainless steel
Sealing on pump side	Carbon, synthetic resin-impregnated
Gasket material	NBR
Motor housing	Stainless steel

Installation dimensions

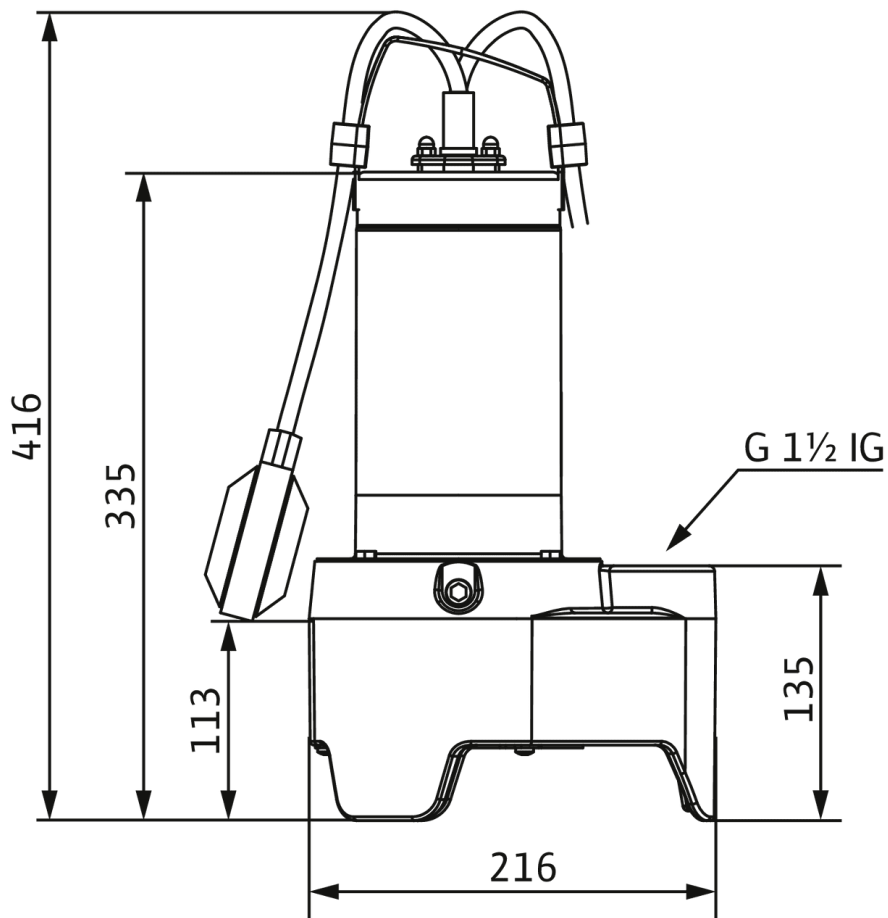
Inlet connection	-
Outlet connection	G 1½

Pump curves



Dimensions and dimensions drawings

Wilo-Rexa MINI3



Ordering information

Product data

Brand	Wilo
Product description	Rexa MINI3-V04.11/M06-523/A-5M
Article number	3094005
EAN number	4048482948720
Colour	silver/black
Minimum order quantity	1
Date of sales availability	2019-09-02

Dimension, weight

Length with packaging	250 mm
Length <i>L</i>	216 mm
Height with packaging	530 mm
Height <i>H</i>	416 mm
Width with packaging	210 mm
Width <i>W</i>	164 mm
Gross weight, approx. <i>m</i>	15 kg
Net weight, approx. <i>m</i>	14 kg

Packaging

Number per layer	15
Packaging property	Sales packaging
Packaging type	Euro pallet
Pieces per pallet	30

Tender text

Submersible pump for stationary and portable wet well installation in intermittent operation.

For the pumping in domestic areas of:

- > Sewage not containing faeces
- > Wastewater (with small amounts of sand and gravel)

Sewage pump with vortex impeller and vertical threaded connection. Hydraulics housing made of grey cast iron, impeller made of plastic. Surface-cooled 1~ motor with integrated operating capacitor and self-switching thermal motor monitoring. Stainless steel motor housing. Oil-filled sealing chamber with double sealing: a rotary shaft seal is installed on the motor side, a mechanical seal on the pump side. Detachable

connection cable with float switch and fitted plug (CEE 7/7).

Note: Sewage containing faeces can be pumped when the pump is installed in the DrainLift WS 50 pump chamber. The system has been approved in accordance with EN 12050-1.

Operating Data

Max. delivery head H	11 m
------------------------	------

Product data

Impeller type	Vortex impeller
Free ball passage of the hydraulics	40 mm
Maximum operating pressure P_N	1 bar
Max. immersion depth	2 m
Fluid temperature T	3 °C

Motor data

Motor design	Submersible motor acc. IEC 60034-1
Mains connection	1~230 V, 50 Hz
Voltage tolerance	±10 %
Rated power P_2	0.6 kW
Power consumption $P_{1\max}$	0.93 kW
Rated current I_N	4,1 A
Activation type	Direct online (DOL)
Number of poles	2
Rated speed n	2900 1/min
Max. switching frequency t	30 1/h
Insulation class	F
Protection class	IP68
Operating mode (immersed)	S1
Operating mode (non-immersed)	S3-20%

Cable

Connection cable length	5 m
Cable type	H07RN-F
Cable cross-section	3G1 mm ²
Mains plug	CEE7/7 (Schuko)
Type of connection cable	Detachable

Equipment/function

Float switch	yes
Macerator	no
Explosion protection type	-
Motor protection	Bimetall

Materials

Pump housing	Cast iron
Impeller	PK-GF30
Shaft	Stainless steel
Sealing on pump side	BXPFF
Sealing on motor side	NBR
Gasket material	NBR
Motor housing	Stainless steel

Installation dimensions

Pipe connection on the suction side <i>DN_s</i>	-
Pipe connection on the discharge side <i>DN_d</i>	G 1½

Ordering information

Brand	Wilo
Product description	Rexa MINI3-V04.11/M06-523/A-5M
Net weight, approx. <i>m</i>	14 kg
Article number	3094005

Data sheet

Hydraulic data

Maximum operating pressure p	1.2 bar
Pressure port	G 1½
Free ball passage of the hydraulics	40 mm
Impeller type	Vortex impeller
Max. immersion depth	7 m
Max. delivery head H_{\max}	11.0 m
Max. volume flow Q_{\max}	21.0 m ³ /h
Min. fluid temperature T_{\min}	3 °C
Max. fluid temperature T_{\max}	40 °C
Min. ambient temperature T_{\min}	3 °C
Max. ambient temperature T_{\max}	40 °C

Motor data

Mains connection	1~230 V, 50 Hz
Voltage tolerance	±10 %
Rated power P_2	0.6 kW
Power consumption $P_{1 \max}$	0.93 kW
Rated current I_N	4.1 A
Starting current I	9.5 A
Operating mode (immersed)	S1
Operating mode (non-immersed)	S3-20%
Rated speed n	2900 1/min
Power factor $\cos \phi$	0.99
Activation type	Direct online (DOL)
Number of poles	2
Max. switching frequency t	30 1/h
Insulation class	F
Protection class motor	IP68

Cable

Connection cable length	10 m
Cable type	H07RN-F
Cable cross-section	3G1 mm ²
Type of connection cable	Detachable

Equipment/function

Mains plug	CEE7/7 (Schuko)
Float switch	yes
Macerator	no
Explosion protection type	-
Motor protection	Bimetall
Motor, leakage detection	no
Sealing chamber, leakage detection	no
Leakage chamber, leakage detection	no

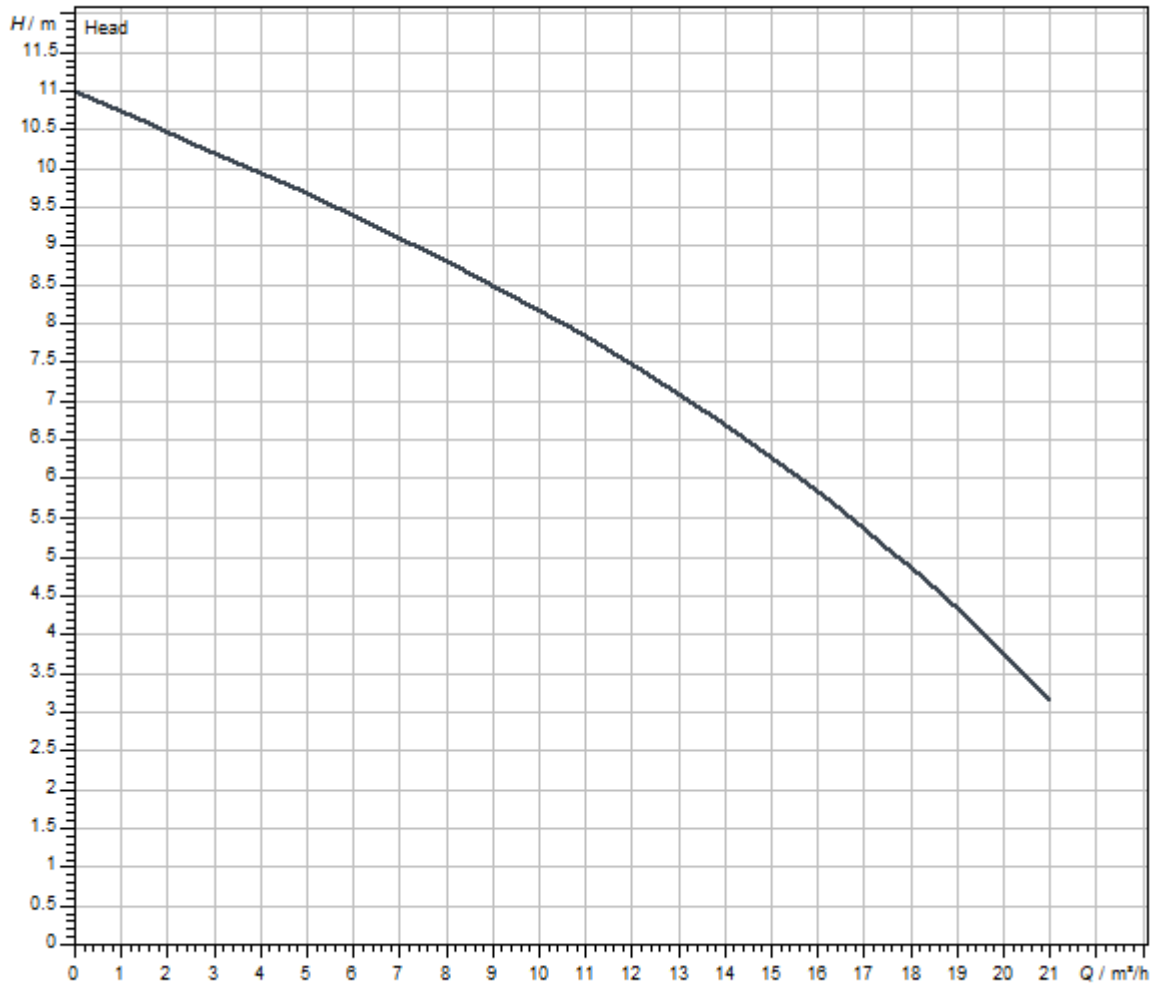
Materials

Pump housing	Cast iron
Impeller	PK-GF30
Shaft	Stainless steel
Sealing on pump side	Carbon, synthetic resin-impregnated
Gasket material	NBR
Motor housing	Stainless steel

Installation dimensions

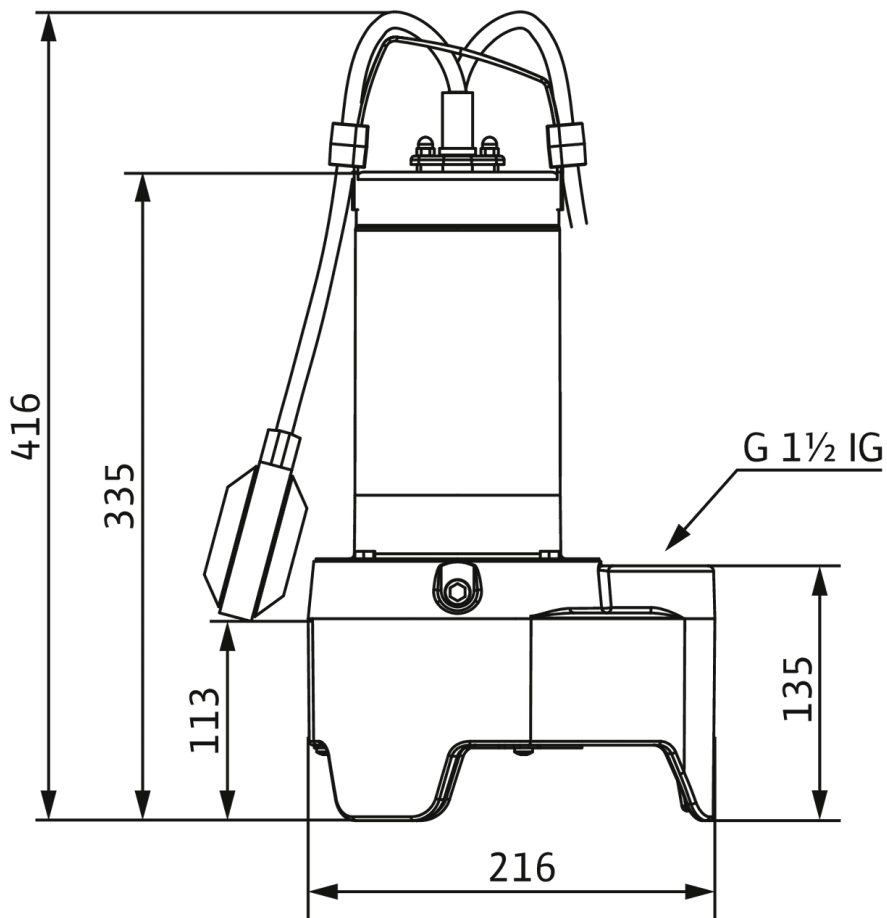
Inlet connection	-
Outlet connection	G 1½

Pump curves



Dimensions and dimensions drawings

Wilo-Rexa MINI3



Ordering information

Product data

Brand	Wilo
Product description	Rexa MINI3-V04.11/M06-523/A-10M
Article number	3094012
EAN number	4048482948799
Colour	silver/black
Minimum order quantity	1
Date of sales availability	2019-09-02

Dimension, weight

Length with packaging	250 mm
Length <i>L</i>	216 mm
Height with packaging	530 mm
Height <i>H</i>	416 mm
Width with packaging	210 mm
Width <i>W</i>	164 mm
Gross weight, approx. <i>m</i>	16 kg
Net weight, approx. <i>m</i>	15 kg

Packaging

Number per layer	15
Packaging property	Sales packaging
Packaging type	Euro pallet
Pieces per pallet	30

Tender text

Submersible pump for stationary and portable wet well installation in intermittent operation.

For the pumping in domestic areas of:

- > Sewage not containing faeces
- > Wastewater (with small amounts of sand and gravel)

Sewage pump with vortex impeller and vertical threaded connection. Hydraulics housing made of grey cast iron, impeller made of plastic. Surface-cooled 1~ motor with integrated operating capacitor and self-switching thermal motor monitoring. Stainless steel motor housing. Oil-filled sealing chamber with double sealing: a rotary shaft seal is installed on the motor side, a mechanical seal on the pump side. Detachable

connection cable with float switch and fitted plug (CEE 7/7).

Note: Sewage containing faeces can be pumped when the pump is installed in the DrainLift WS 50 pump chamber. The system has been approved in accordance with EN 12050-1.

Operating Data

Max. delivery head H	11 m
------------------------	------

Product data

Impeller type	Vortex impeller
Free ball passage of the hydraulics	40 mm
Maximum operating pressure P_N	1 bar
Max. immersion depth	7 m
Fluid temperature T	3 °C

Motor data

Motor design	Submersible motor acc. IEC 60034-1
Mains connection	1~230 V, 50 Hz
Voltage tolerance	±10 %
Rated power P_2	0.6 kW
Power consumption $P_{1\max}$	0.93 kW
Rated current I_N	4,1 A
Activation type	Direct online (DOL)
Number of poles	2
Rated speed n	2900 1/min
Max. switching frequency t	30 1/h
Insulation class	F
Protection class	IP68
Operating mode (immersed)	S1
Operating mode (non-immersed)	S3-20%

Cable

Connection cable length	10 m
Cable type	H07RN-F
Cable cross-section	3G1 mm ²
Mains plug	CEE7/7 (Schuko)
Type of connection cable	Detachable

Equipment/function

Float switch	yes
Macerator	no
Explosion protection type	-
Motor protection	Bimetall

Materials

Pump housing	Cast iron
Impeller	PK-GF30
Shaft	Stainless steel
Sealing on pump side	BXPFF
Sealing on motor side	NBR
Gasket material	NBR
Motor housing	Stainless steel

Installation dimensions

Pipe connection on the suction side <i>DN_s</i>	-
Pipe connection on the discharge side <i>DN_d</i>	G 1½

Ordering information

Brand	Wilo
Product description	Rexa MINI3-V04.11/M06-523/A-10M
Net weight, approx. <i>m</i>	15 kg
Article number	3094012

Data sheet

Hydraulic data

Maximum operating pressure p	1.2 bar
Pressure port	G 1½
Free ball passage of the hydraulics	40 mm
Impeller type	Vortex impeller
Max. immersion depth	2 m
Max. delivery head H_{\max}	11.0 m
Max. volume flow Q_{\max}	21.0 m³/h
Min. fluid temperature T_{\min}	3 °C
Max. fluid temperature T_{\max}	40 °C
Min. ambient temperature T_{\min}	3 °C
Max. ambient temperature T_{\max}	40 °C

Motor data

Mains connection	1~230 V, 50 Hz
Voltage tolerance	±10 %
Rated power P_2	0.6 kW
Power consumption $P_{1 \max}$	0.93 kW
Rated current I_N	4.1 A
Starting current I	9.5 A
Operating mode (immersed)	S1
Operating mode (non-immersed)	S3-20%
Rated speed n	2900 1/min
Power factor $\cos \phi$	0.99
Activation type	Direct online (DOL)
Number of poles	2
Max. switching frequency t	30 1/h
Insulation class	F
Protection class motor	IP68

Cable

Connection cable length	5 m
Cable type	H07RN-F
Cable cross-section	3G1 mm²
Type of connection cable	Detachable

Equipment/function

Mains plug	CEE7/7 (Schuko)
Float switch	no
Macerator	no
Explosion protection type	-
Motor protection	Bimetall
Motor, leakage detection	no
Sealing chamber, leakage detection	no
Leakage chamber, leakage detection	no

Materials

Pump housing	Cast iron
Impeller	PK-GF30
Shaft	Stainless steel
Sealing on pump side	Carbon, synthetic resin-impregnated
Gasket material	NBR
Motor housing	Stainless steel

Installation dimensions

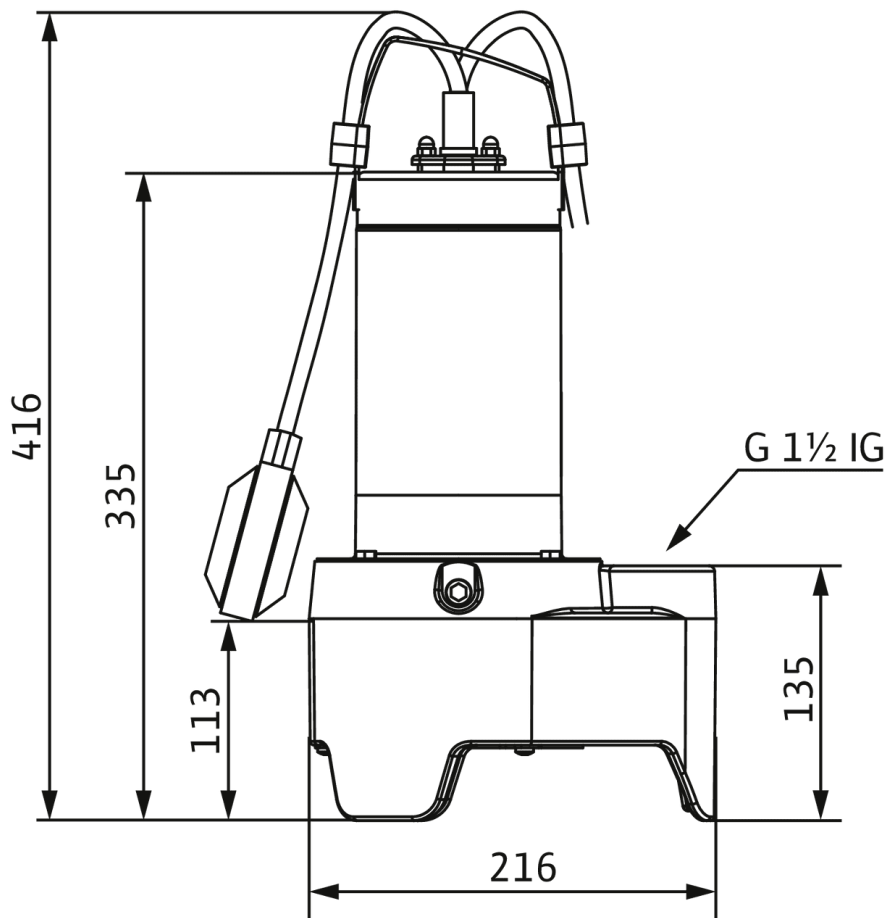
Inlet connection	-
Outlet connection	G 1½

Pump curves



Dimensions and dimensions drawings

Wilo-Rexa MINI3



Ordering information

Product data

Brand	Wilo
Product description	Rexa MINI3-V04.11/M06-523/P-5M
Article number	3094004
EAN number	4048482948713
Colour	silver/black
Minimum order quantity	1
Date of sales availability	2019-09-02

Dimension, weight

Length with packaging	250 mm
Length <i>L</i>	216 mm
Height with packaging	530 mm
Height <i>H</i>	416 mm
Width with packaging	210 mm
Width <i>W</i>	164 mm
Gross weight, approx. <i>m</i>	15 kg
Net weight, approx. <i>m</i>	14 kg

Packaging

Number per layer	15
Packaging property	Sales packaging
Packaging type	Euro pallet
Pieces per pallet	30

Tender text

Submersible pump for stationary and portable wet well installation in intermittent operation.

For the pumping in domestic areas of:

- > Sewage not containing faeces
- > Wastewater (with small amounts of sand and gravel)

Sewage pump with vortex impeller and vertical threaded connection. Hydraulics housing made of grey cast iron, impeller made of plastic. Surface-cooled 1~ motor with integrated operating capacitor and self-switching thermal motor monitoring. Stainless steel motor housing. Oil-filled sealing chamber with double sealing: a rotary shaft seal is installed on the motor side, a

mechanical seal on the pump side. Detachable connection cable with fitted plug (CEE 7/7).

Note: Sewage containing faeces can be pumped when the pump is installed in the DrainLift WS 50 pump chamber. The system has been approved in accordance with EN 12050-1.

Operating Data

Max. delivery head H	11 m
------------------------	------

Product data

Impeller type	Vortex impeller
Free ball passage of the hydraulics	40 mm
Maximum operating pressure P_N	1 bar
Max. immersion depth	2 m
Fluid temperature T	3 °C

Motor data

Motor design	Submersible motor acc. IEC 60034-1
Mains connection	1~230 V, 50 Hz
Voltage tolerance	±10 %
Rated power P_2	0.6 kW
Power consumption $P_{1 \max}$	0.93 kW
Rated current I_N	4.1 A
Activation type	Direct online (DOL)
Number of poles	2
Rated speed n	2900 1/min
Max. switching frequency t	30 1/h
Insulation class	F
Protection class	IP68
Operating mode (immersed)	S1
Operating mode (non-immersed)	S3-20%

Cable

Connection cable length	5 m
Cable type	H07RN-F
Cable cross-section	3G1 mm ²
Mains plug	CEE7/7 (Schuko)
Type of connection cable	Detachable

Equipment/function

Float switch	no
Macerator	no
Explosion protection type	-
Motor protection	Bimetall

Materials

Pump housing	Cast iron
Impeller	PK-GF30
Shaft	Stainless steel
Sealing on pump side	BXPFF
Sealing on motor side	NBR
Gasket material	NBR
Motor housing	Stainless steel

Installation dimensions

Pipe connection on the suction side <i>DN_s</i>	-
Pipe connection on the discharge side <i>DN_d</i>	G 1½

Ordering information

Brand	Wilo
Product description	Rexa MINI3-V04.11/M06-523/P-5M
Net weight, approx. <i>m</i>	14 kg
Article number	3094004

Data sheet

Hydraulic data

Maximum operating pressure p	1.2 bar
Pressure port	G 1½
Free ball passage of the hydraulics	40 mm
Impeller type	Vortex impeller
Max. immersion depth	7 m
Max. delivery head H_{\max}	11.0 m
Max. volume flow Q_{\max}	21.0 m ³ /h
Min. fluid temperature T_{\min}	3 °C
Max. fluid temperature T_{\max}	40 °C
Min. ambient temperature T_{\min}	3 °C
Max. ambient temperature T_{\max}	40 °C

Motor data

Mains connection	1~230 V, 50 Hz
Voltage tolerance	±10 %
Rated power P_2	0.6 kW
Power consumption $P_{1 \max}$	0.93 kW
Rated current I_N	4.1 A
Starting current I	9.5 A
Operating mode (immersed)	S1
Operating mode (non-immersed)	S3-20%
Rated speed n	2900 1/min
Power factor $\cos \phi$	0.99
Activation type	Direct online (DOL)
Number of poles	2
Max. switching frequency t	30 1/h
Insulation class	F
Protection class motor	IP68

Cable

Connection cable length	10 m
Cable type	H07RN-F
Cable cross-section	3G1 mm ²
Type of connection cable	Detachable

Equipment/function

Mains plug	CEE7/7 (Schuko)
Float switch	no
Macerator	no
Explosion protection type	-
Motor protection	Bimetall
Motor, leakage detection	no
Sealing chamber, leakage detection	no
Leakage chamber, leakage detection	no

Materials

Pump housing	Cast iron
Impeller	PK-GF30
Shaft	Stainless steel
Sealing on pump side	Carbon, synthetic resin-impregnated
Gasket material	NBR
Motor housing	Stainless steel

Installation dimensions

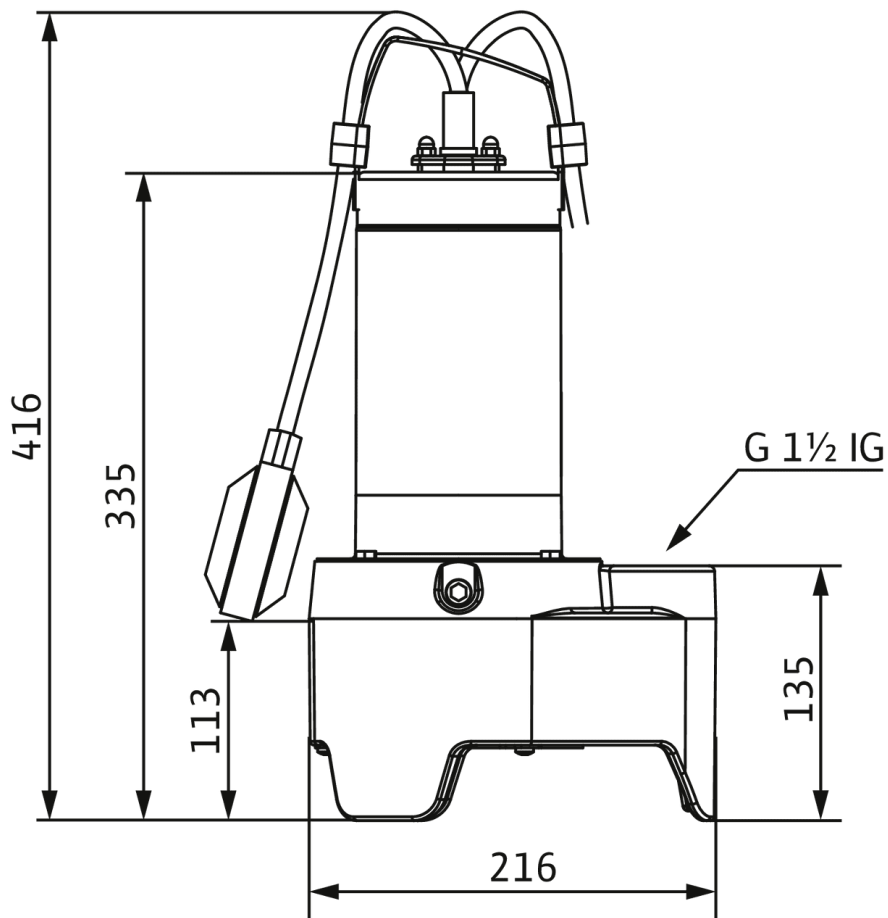
Inlet connection	-
Outlet connection	G 1½

Pump curves



Dimensions and dimensions drawings

Wilo-Rexa MINI3



Ordering information

Product data

Brand	Wilo
Product description	Rexa MINI3-V04.11/M06-523/P-10M
Article number	3094011
EAN number	4048482948782
Colour	silver/black
Minimum order quantity	1
Date of sales availability	2019-09-02

Dimension, weight

Length with packaging	250 mm
Length <i>L</i>	216 mm
Height with packaging	530 mm
Height <i>H</i>	416 mm
Width with packaging	210 mm
Width <i>W</i>	164 mm
Gross weight, approx. <i>m</i>	16 kg
Net weight, approx. <i>m</i>	15 kg

Packaging

Number per layer	15
Packaging property	Sales packaging
Packaging type	Euro pallet
Pieces per pallet	30

Tender text

Submersible pump for stationary and portable wet well installation in intermittent operation.

For the pumping in domestic areas of:

- > Sewage not containing faeces
- > Wastewater (with small amounts of sand and gravel)

Sewage pump with vortex impeller and vertical threaded connection. Hydraulics housing made of grey cast iron, impeller made of plastic. Surface-cooled 1~ motor with integrated operating capacitor and self-switching thermal motor monitoring. Stainless steel motor housing. Oil-filled sealing chamber with double sealing: a rotary shaft seal is installed on the motor side, a

mechanical seal on the pump side. Detachable connection cable with fitted plug (CEE 7/7).

Note: Sewage containing faeces can be pumped when the pump is installed in the DrainLift WS 50 pump chamber. The system has been approved in accordance with EN 12050-1.

Operating Data

Max. delivery head H	11 m
------------------------	------

Product data

Impeller type	Vortex impeller
Free ball passage of the hydraulics	40 mm
Maximum operating pressure P_N	1 bar
Max. immersion depth	7 m
Fluid temperature T	3 °C

Motor data

Motor design	Submersible motor acc. IEC 60034-1
Mains connection	1~230 V, 50 Hz
Voltage tolerance	±10 %
Rated power P_2	0.6 kW
Power consumption $P_{1 \max}$	0.93 kW
Rated current I_N	4.1 A
Activation type	Direct online (DOL)
Number of poles	2
Rated speed n	2900 1/min
Max. switching frequency t	30 1/h
Insulation class	F
Protection class	IP68
Operating mode (immersed)	S1
Operating mode (non-immersed)	S3-20%

Cable

Connection cable length	10 m
Cable type	H07RN-F
Cable cross-section	3G1 mm ²
Mains plug	CEE7/7 (Schuko)
Type of connection cable	Detachable

Equipment/function

Float switch	no
Macerator	no
Explosion protection type	-
Motor protection	Bimetall

Materials

Pump housing	Cast iron
Impeller	PK-GF30
Shaft	Stainless steel
Sealing on pump side	BXPFF
Sealing on motor side	NBR
Gasket material	NBR
Motor housing	Stainless steel

Installation dimensions

Pipe connection on the suction side <i>DN_s</i>	-
Pipe connection on the discharge side <i>DN_d</i>	G 1½

Ordering information

Brand	Wilo
Product description	Rexa MINI3-V04.11/M06-523/P-10M
Net weight, approx. <i>m</i>	15 kg
Article number	3094011

Data sheet

Hydraulic data

Maximum operating pressure p	1.2 bar
Pressure port	G 1½
Free ball passage of the hydraulics	40 mm
Impeller type	Vortex impeller
Max. immersion depth	2 m
Max. delivery head H_{\max}	11.0 m
Max. volume flow Q_{\max}	20.9 m³/h
Min. fluid temperature T_{\min}	3 °C
Max. fluid temperature T_{\max}	40 °C
Min. ambient temperature T_{\min}	3 °C
Max. ambient temperature T_{\max}	40 °C

Motor data

Mains connection	3~400 V, 50 Hz
Voltage tolerance	±10 %
Rated power P_2	0.6 kW
Power consumption $P_{1 \max}$	0.83 kW
Rated current I_N	1.6 A
Starting current I	7.6 A
Operating mode (immersed)	S1
Operating mode (non-immersed)	S3-20%
Rated speed n	2900 1/min
Power factor $\cos \phi$	0.77
Activation type	Direct online (DOL)
Number of poles	2
Max. switching frequency t	30 1/h
Insulation class	F
Protection class motor	IP68

Cable

Connection cable length	5 m
Cable type	H07RN-F
Cable cross-section	4G1 mm²
Type of connection cable	Detachable

Equipment/function

Mains plug	no
Float switch	no
Macerator	no
Explosion protection type	-
Motor protection	Bimetall
Motor, leakage detection	no
Sealing chamber, leakage detection	no
Leakage chamber, leakage detection	no

Materials

Pump housing	Cast iron
Impeller	PK-GF30
Shaft	Stainless steel
Sealing on pump side	Carbon, synthetic resin-impregnated
Gasket material	NBR
Motor housing	Stainless steel

Installation dimensions

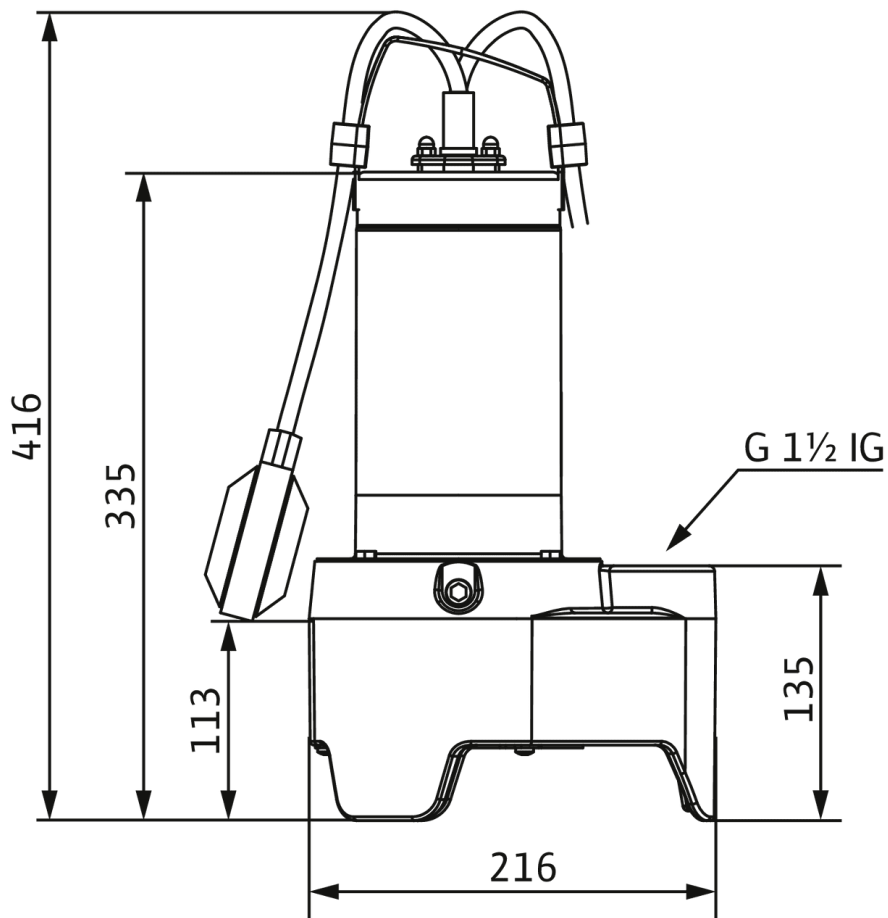
Inlet connection	-
Outlet connection	G 1½

Pump curves



Dimensions and dimensions drawings

Wilo-Rexa MINI3



Ordering information

Product data

Brand	Wilo
Product description	Rexa MINI3-V04.11/T06-540/O-5M
Article number	3094006
EAN number	4048482948737
Colour	silver/black
Minimum order quantity	1
Date of sales availability	2019-09-02

Dimension, weight

Length with packaging	250 mm
Length <i>L</i>	216 mm
Height with packaging	530 mm
Height <i>H</i>	416 mm
Width with packaging	210 mm
Width <i>W</i>	164 mm
Gross weight, approx. <i>m</i>	14 kg
Net weight, approx. <i>m</i>	13 kg

Packaging

Number per layer	15
Packaging property	Sales packaging
Packaging type	Euro pallet
Pieces per pallet	30

Tender text

Submersible pump for stationary and portable wet well installation in intermittent operation.

For the pumping in domestic areas of:

- > Sewage not containing faeces
- > Wastewater (with small amounts of sand and gravel)

Sewage pump with vortex impeller and vertical threaded connection. Hydraulics housing made of grey cast iron, impeller made of plastic. Surface-cooled 3~ motor with self-switching thermal motor monitoring. Stainless steel motor housing. Oil-filled sealing chamber with double sealing: a rotary shaft seal is installed on the motor side, a mechanical seal on the pump side. Detachable connection cable with bare cable end, for fixed

connection to on-site controls. **Pump without float switch and plug!**

Note: Sewage containing faeces can be pumped when the pump is installed in the DrainLift WS 50 pump chamber. The system has been approved in accordance with EN 12050-1.

Operating Data

Max. delivery head H	11 m
------------------------	------

Product data

Impeller type	Vortex impeller
Free ball passage of the hydraulics	40 mm
Maximum operating pressure P_N	1 bar
Max. immersion depth	2 m
Fluid temperature T	3 °C

Motor data

Motor design	Submersible motor acc. IEC 60034-1
Mains connection	3~400 V, 50 Hz
Voltage tolerance	±10 %
Rated power P_2	0.6 kW
Power consumption $P_{1\max}$	0.83 kW
Rated current I_N	1.6 A
Activation type	Direct online (DOL)
Number of poles	2
Rated speed n	2900 1/min
Max. switching frequency t	30 1/h
Insulation class	F
Protection class	IP68
Operating mode (immersed)	S1
Operating mode (non-immersed)	S3-20%

Cable

Connection cable length	5 m
Cable type	H07RN-F
Cable cross-section	4G1 mm ²
Mains plug	no
Type of connection cable	Detachable

Equipment/function

Float switch	no
Macerator	no
Explosion protection type	-
Motor protection	Bimetall

Materials

Pump housing	Cast iron
Impeller	PK-GF30
Shaft	Stainless steel
Sealing on pump side	BXPFF
Sealing on motor side	NBR
Gasket material	NBR
Motor housing	Stainless steel

Installation dimensions

Pipe connection on the suction side <i>DN_s</i>	-
Pipe connection on the discharge side <i>DN_d</i>	G 1½

Ordering information

Brand	Wilo
Product description	Rexa MINI3-V04.11/T06-540/O-5M
Net weight, approx. <i>m</i>	13 kg
Article number	3094006

Data sheet

Hydraulic data

Maximum operating pressure p	1.2 bar
Pressure port	G 1½
Free ball passage of the hydraulics	40 mm
Impeller type	Vortex impeller
Max. immersion depth	7 m
Max. delivery head H_{\max}	11.0 m
Max. volume flow Q_{\max}	20.9 m³/h
Min. fluid temperature T_{\min}	3 °C
Max. fluid temperature T_{\max}	40 °C
Min. ambient temperature T_{\min}	3 °C
Max. ambient temperature T_{\max}	40 °C

Motor data

Mains connection	3~400 V, 50 Hz
Voltage tolerance	±10 %
Rated power P_2	0.6 kW
Power consumption $P_{1 \max}$	0.83 kW
Rated current I_N	1.6 A
Starting current I	7.6 A
Operating mode (immersed)	S1
Operating mode (non-immersed)	S3-20%
Rated speed n	2900 1/min
Power factor $\cos \phi$	0.77
Activation type	Direct online (DOL)
Number of poles	2
Max. switching frequency t	30 1/h
Insulation class	F
Protection class motor	IP68

Cable

Connection cable length	10 m
Cable type	H07RN-F
Cable cross-section	4G1 mm²
Type of connection cable	Detachable

Equipment/function

Mains plug	no
Float switch	no
Macerator	no
Explosion protection type	-
Motor protection	Bimetall
Motor, leakage detection	no
Sealing chamber, leakage detection	no
Leakage chamber, leakage detection	no

Materials

Pump housing	Cast iron
Impeller	PK-GF30
Shaft	Stainless steel
Sealing on pump side	Carbon, synthetic resin-impregnated
Gasket material	NBR
Motor housing	Stainless steel

Installation dimensions

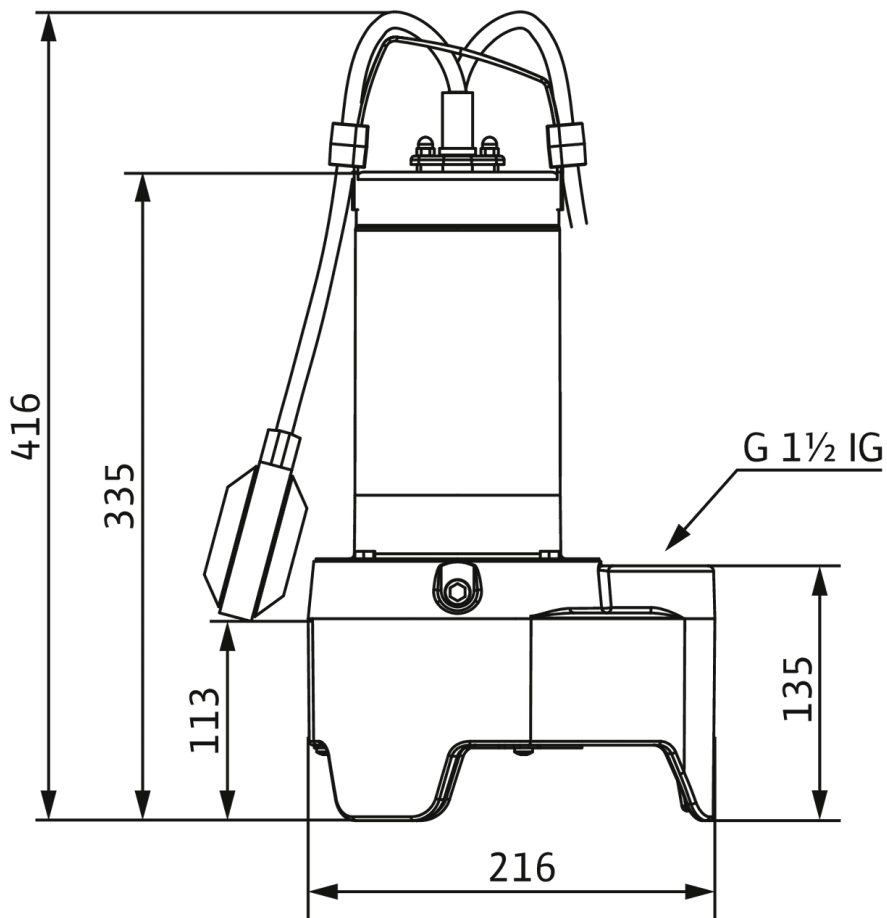
Inlet connection	-
Outlet connection	G 1½

Pump curves



Dimensions and dimensions drawings

Wilo-Rexa MINI3



Ordering information

Product data

Brand	Wilo
Product description	Rexa MINI3-V04.11/T06-540/O-10M
Article number	3094013
EAN number	4048482948805
Colour	silver/black
Minimum order quantity	1
Date of sales availability	2019-09-02

Dimension, weight

Length with packaging	250 mm
Length <i>L</i>	216 mm
Height with packaging	530 mm
Height <i>H</i>	416 mm
Width with packaging	210 mm
Width <i>W</i>	164 mm
Gross weight, approx. <i>m</i>	15 kg
Net weight, approx. <i>m</i>	14 kg

Packaging

Number per layer	15
Packaging property	Sales packaging
Packaging type	Euro pallet
Pieces per pallet	30

Tender text

Submersible pump for stationary and portable wet well installation in intermittent operation.

For the pumping in domestic areas of:

- > Sewage not containing faeces
- > Wastewater (with small amounts of sand and gravel)

Sewage pump with vortex impeller and vertical threaded connection. Hydraulics housing made of grey cast iron, impeller made of plastic. Surface-cooled 3~ motor with self-switching thermal motor monitoring. Stainless steel motor housing. Oil-filled sealing chamber with double sealing: a rotary shaft seal is installed on the motor side, a mechanical seal on the pump side. Detachable connection cable with bare cable end, for fixed

connection to on-site controls. **Pump without float switch and plug!**

Note: Sewage containing faeces can be pumped when the pump is installed in the DrainLift WS 50 pump chamber. The system has been approved in accordance with EN 12050-1.

Operating Data

Max. delivery head H	11 m
------------------------	------

Product data

Impeller type	Vortex impeller
Free ball passage of the hydraulics	40 mm
Maximum operating pressure P_N	1 bar
Max. immersion depth	7 m
Fluid temperature T	3 °C

Motor data

Motor design	Submersible motor acc. IEC 60034-1
Mains connection	3~400 V, 50 Hz
Voltage tolerance	±10 %
Rated power P_2	0.6 kW
Power consumption $P_{1\max}$	0.83 kW
Rated current I_N	1.6 A
Activation type	Direct online (DOL)
Number of poles	2
Rated speed n	2900 1/min
Max. switching frequency t	30 1/h
Insulation class	F
Protection class	IP68
Operating mode (immersed)	S1
Operating mode (non-immersed)	S3-20%

Cable

Connection cable length	10 m
Cable type	H07RN-F
Cable cross-section	4G1 mm ²
Mains plug	no
Type of connection cable	Detachable

Equipment/function

Float switch	no
Macerator	no
Explosion protection type	-
Motor protection	Bimetall

Materials

Pump housing	Cast iron
Impeller	PK-GF30
Shaft	Stainless steel
Sealing on pump side	BXPFF
Sealing on motor side	NBR
Gasket material	NBR
Motor housing	Stainless steel

Installation dimensions

Pipe connection on the suction side <i>DN_s</i>	-
Pipe connection on the discharge side <i>DN_d</i>	G 1½

Ordering information

Brand	Wilo
Product description	Rexa MINI3-V04.11/T06-540/O-10M
Net weight, approx. <i>m</i>	14 kg
Article number	3094013

Data sheet

Hydraulic data

Maximum operating pressure p	1.4 bar
Pressure port	G 1½
Free ball passage of the hydraulics	40 mm
Impeller type	Vortex impeller
Max. immersion depth	2 m
Max. delivery head H_{\max}	13.0 m
Max. volume flow Q_{\max}	22.1 m³/h
Min. fluid temperature T_{\min}	3 °C
Max. fluid temperature T_{\max}	40 °C
Min. ambient temperature T_{\min}	3 °C
Max. ambient temperature T_{\max}	40 °C

Motor data

Mains connection	1~230 V, 50 Hz
Voltage tolerance	±10 %
Rated power P_2	0.75 kW
Power consumption $P_{1 \max}$	1.03 kW
Rated current I_N	4.7 A
Starting current I	14.2 A
Operating mode (immersed)	S1
Operating mode (non-immersed)	S3-20%
Rated speed n	2900 1/min
Power factor $\cos \phi$	0.94
Activation type	Direct online (DOL)
Number of poles	2
Max. switching frequency t	30 1/h
Insulation class	F
Protection class motor	IP68

Cable

Connection cable length	5 m
Cable type	H07RN-F
Cable cross-section	3G1 mm²
Type of connection cable	Detachable

Equipment/function

Mains plug	CEE7/7 (Schuko)
Float switch	yes
Macerator	no
Explosion protection type	-
Motor protection	Bimetall
Motor, leakage detection	no
Sealing chamber, leakage detection	no
Leakage chamber, leakage detection	no

Materials

Pump housing	Cast iron
Impeller	PK-GF30
Shaft	Stainless steel
Sealing on pump side	Carbon, synthetic resin-impregnated
Gasket material	NBR
Motor housing	Stainless steel

Installation dimensions

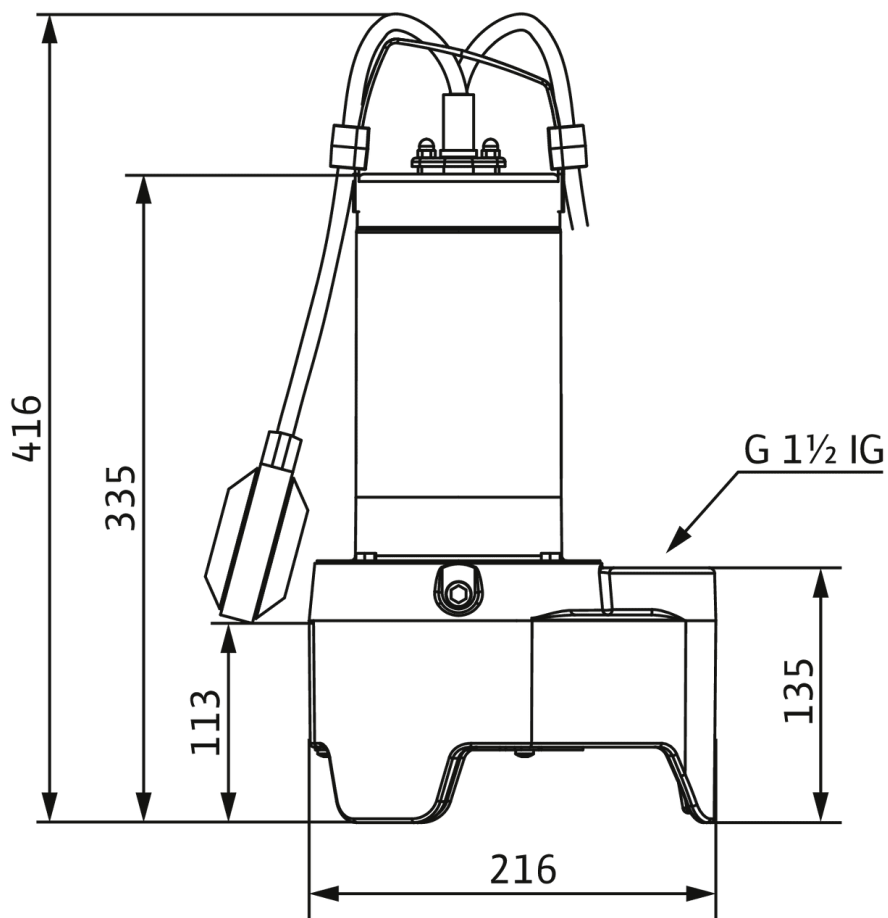
Inlet connection	-
Outlet connection	G 1½

Pump curves



Dimensions and dimensions drawings

Wilo-Rexa MINI3



Ordering information

Product data

Brand	Wilo
Product description	Rexa MINI3-V04.13/M08-523/A-5M
Article number	3094007
EAN number	4048482948744
Colour	silver/black
Minimum order quantity	1
Date of sales availability	2019-09-02

Dimension, weight

Length with packaging	250 mm
Length <i>L</i>	216 mm
Height with packaging	530 mm
Height <i>H</i>	416 mm
Width with packaging	210 mm
Width <i>W</i>	164 mm
Gross weight, approx. <i>m</i>	15 kg
Net weight, approx. <i>m</i>	14 kg

Packaging

Number per layer	15
Packaging property	Sales packaging
Packaging type	Euro pallet
Pieces per pallet	30

Tender text

Submersible pump for stationary and portable wet well installation in intermittent operation.

For the pumping in domestic areas of:

- > Sewage not containing faeces
- > Wastewater (with small amounts of sand and gravel)

Sewage pump with vortex impeller and vertical threaded connection. Hydraulics housing made of grey cast iron, impeller made of plastic. Surface-cooled 1~ motor with integrated operating capacitor and self-switching thermal motor monitoring. Stainless steel motor housing. Oil-filled sealing chamber with double sealing: a rotary shaft seal is installed on the motor side, a mechanical seal on the pump side. Detachable

connection cable with float switch and fitted plug (CEE 7/7).

Note: Sewage containing faeces can be pumped when the pump is installed in the DrainLift WS 50 pump chamber. The system has been approved in accordance with EN 12050-1.

Operating Data

Max. delivery head H	13 m
------------------------	------

Product data

Impeller type	Vortex impeller
Free ball passage of the hydraulics	40 mm
Maximum operating pressure P_N	1 bar
Max. immersion depth	2 m
Fluid temperature T	3 °C

Motor data

Motor design	Submersible motor acc. IEC 60034-1
Mains connection	1~230 V, 50 Hz
Voltage tolerance	±10 %
Rated power P_2	0.75 kW
Power consumption $P_{1\max}$	1.03 kW
Rated current I_N	4.7 A
Activation type	Direct online (DOL)
Number of poles	2
Rated speed n	2900 1/min
Max. switching frequency t	30 1/h
Insulation class	F
Protection class	IP68
Operating mode (immersed)	S1
Operating mode (non-immersed)	S3-20%

Cable

Connection cable length	5 m
Cable type	H07RN-F
Cable cross-section	3G1 mm ²
Mains plug	CEE7/7 (Schuko)
Type of connection cable	Detachable

Equipment/function

Float switch	yes
Macerator	no
Explosion protection type	-
Motor protection	Bimetall

Materials

Pump housing	Cast iron
Impeller	PK-GF30
Shaft	Stainless steel
Sealing on pump side	BXPFF
Sealing on motor side	NBR
Gasket material	NBR
Motor housing	Stainless steel

Installation dimensions

Pipe connection on the suction side <i>DN_s</i>	-
Pipe connection on the discharge side <i>DN_d</i>	G 1½

Ordering information

Brand	Wilo
Product description	Rexa MINI3-V04.13/M08-523/A-5M
Net weight, approx. <i>m</i>	14 kg
Article number	3094007