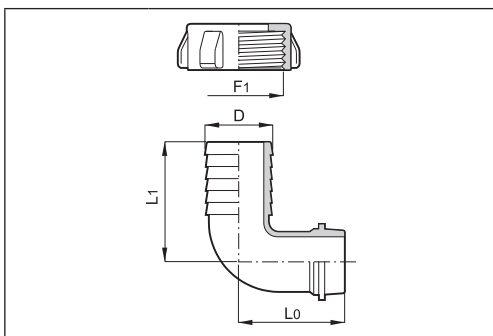




NYLON

Raccordo curvo con girello
Hosetail 90° with fly nut
Racor curvo con tuerca

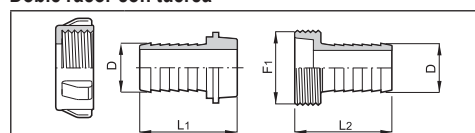


COD.	F1	D (mm)	L0 (mm)	L1 (mm)	
627 220.060	M29x1.75	20	36.7	45	20
627 422.060	M42x3	22	50	53	20
627 425.060		25	50	53	20
627 430.060		30	53	60	20
627 432.060		32	53	60	20
627 635.060	M52x3	35	64.5	78	10
627 638.060		38	64.5	84.5	10
627 640.060		40	64.5	84.5	10
627 750.060	M67x3	50	76	90	5



NYLON

Giunto combinato dritto
Dual hosetail
Doble racor con tuerca

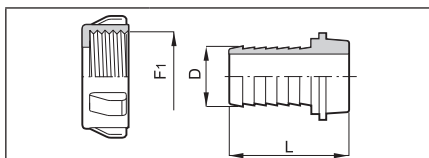


COD.	D (mm)	L1 (mm)	L2 (mm)	F1	
628 220	20	44.5	44.5	M29x1.75	20
628 425	25	52.5	52.5	M42x3	20
628 430	30	60	61	M42x3	20
628 432	32	66	60	M42x3	20
628 635	35	68	68	M52x3	10
628 638	38	67	68	M52x3	10
628 640	40	68	68	M52x3	10
628 750	50	76	73	M67x3	10
628 860	60	89.5	96	M73x4	5



NYLON

Raccordo dritto con girello
Hosetail with fly nut
Racor recto con tuerca

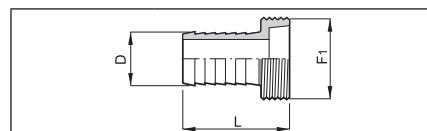


COD.	F1	D (mm)	L (mm)	
626 220.060	M29x1.75	20	44.5	20
626 422.060	M42x3	22	52.5	20
626 425.060		25	52.5	20
626 430.060		30	60	20
626 432.060		32	66	20
626 635.060	M52x3	35	68	10
626 638.060		38	67	10
626 640.060		40	68	10
626 750.060	M67x3	50	76	5
626 860.060	M73x4	60	89.5	5



NYLON

Raccordo portagomma dritto con filetto maschio
Straight hosetail with male thread
Racor recto portamanguera rosca macho



COD.	F1	D (mm)	L (mm)	
628 220.040	M29x1.75	20	44.5	20
628 425.040	M42x3	25	52.5	20
628 430.040		30	61	20
628 432.040		32	60	20
628 635.040		35	68	10
628 638.040	M52x3	38	68	10
628 640.040		40	68	10
628 750.040		M67x3	50	73
628 860.040	M73x4	60	96	5