

DR BluePRO

Multi-channel open impeller

DESIGN BY

pininfarina

All product images are indicative only



General characteristics

multi-channel open impeller	
motor power	0,37 ÷ 1,5 kW
poles	2
discharge	GAS 1¼" - 2" vertical
free passage	max 15 mm
max flow rate	11.5 l/s
max head	17.0 m

Electromechanical assembly

Electromechanical assembly in EN-GJL-250 cast iron, for submerged operation, fitted with 2 (two) opposing silicon carbide mechanical seals in oil sump, and V-ring in direct contact with the liquid. Ecological dry motor. Pump body in single casting with motor casing.

Applications

Suitable for use with clear or slightly soiled wastewaters containing small solids, strained water, rainwater, seepage and water pumped from underground, where high pumping rates are required. This electric pump is intended for both domestic and professional use.

Construction materials

Case	Cast iron EN-GJL 250
Impeller	Cast iron EN-GJL-250
Nuts and bolts	Stainless steel - Class A2-70
Standard gasket	Rubber - NBR
Shaft	Stainless steel - AISI 420
Paint type	Ecological bicomponent epoxy (medium thickness 80 µm)
Set of standard mechanical seals	Two silicon carbide mechanical seals (2SiC), V-ring

Operating limits

Maximum operating temperature	40 °C
PH of treated fluid	6 ÷ 14
Viscosity of treated fluid	1 mm ² /s
Maximum immersion depth	20 m
Density of treated fluid	1 Kg/dm ³
Maximum acoustic pressure	70 dB
max starts per hour	30

Models available in IECEx certified version

Ex nA IIC T3
Ex nA nC IIC T3

DR BluePRO



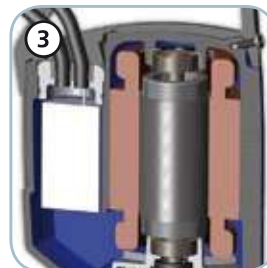
Lifting handle

Ergonomic aluminium lifting and carrying handle, coated for excellent mechanical strength and corrosion resistance. Clip floatswitch adjustment.



Cable gland System

Innovative cable gland system with twin O-rings to ensure maximum tightness.



Motor and electrical accessories

Dry motor with thermal protections. Single-phase models with internal capacitor. Three-phase models with motor protection relay (option).



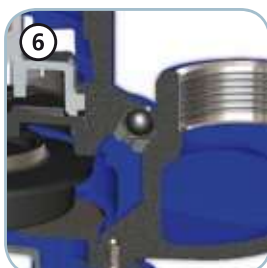
Mechanical seals

Two silicon carbide mechanical seals (2SiC), and V-ring in direct contact with the liquid.



Oil sump

Oil sump which guarantees longer mechanical seal lifetime, and is easily accessible thanks to a patented system to simplify maintenance procedures.



Breather

Breather which allows the air to be vented and ensure reliable pump priming even after long periods out of use.



Intake strainer

Stainless steel intake strainer and diffuser plate (models 50, 75 and 100). Polypropylene intake strainer with cast iron diffuser plate and foot (models 150 and 200).

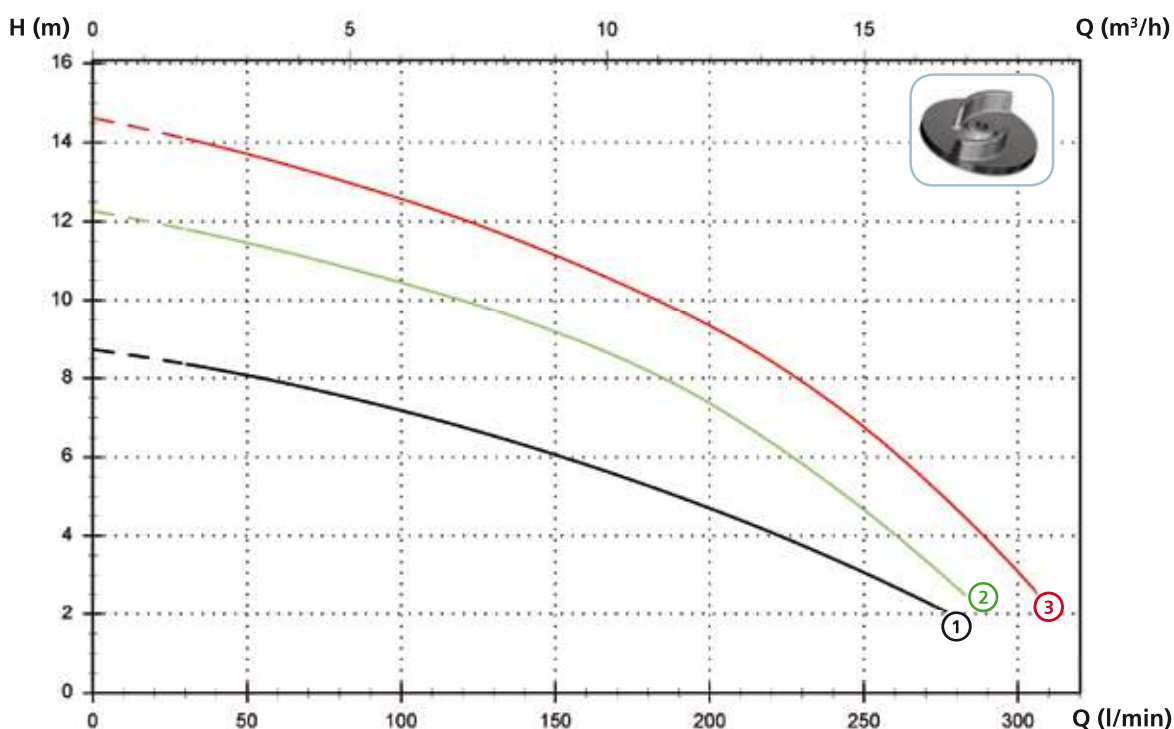
DR BluePRO

Models with vertical GAS 1 1/4" threaded discharge - 2 poles motor

Performances

l/s	0	1	2	3	4	5
l/min	0	60	120	180	240	300
m ³ /h	0	3.6	7.2	10.8	14.4	18.0

① DR BluePRO 50/2/G32V A1BM(T)/50	8.7	7.9	6.8	5.3	3.4	
② DR BluePRO 75/2/G32V A1BM(T)/50	12.3	11.3	10.0	8.2	5.3	
③ DR BluePRO 100/2/G32V A1BM(T)/50	14.6	13.5	12.1	10.1	7.4	3.1



Technical data

	V	Phases	P1 (kW)	P2 (kW)	A	Rpm	Start	Ø	Free passage
① DR BluePRO 50/2/G32V A1BM/50	230	1	-	0.37	2.8	2900	Dir	G 1 1/4"	15 mm
② DR BluePRO 75/2/G32V A1BM/50	230	1	-	0.55	4.1	2900	Dir	G 1 1/4"	15 mm
③ DR BluePRO 100/2/G32V A1BM/50	230	1	-	0.74	5.6	2900	Dir	G 1 1/4"	15 mm

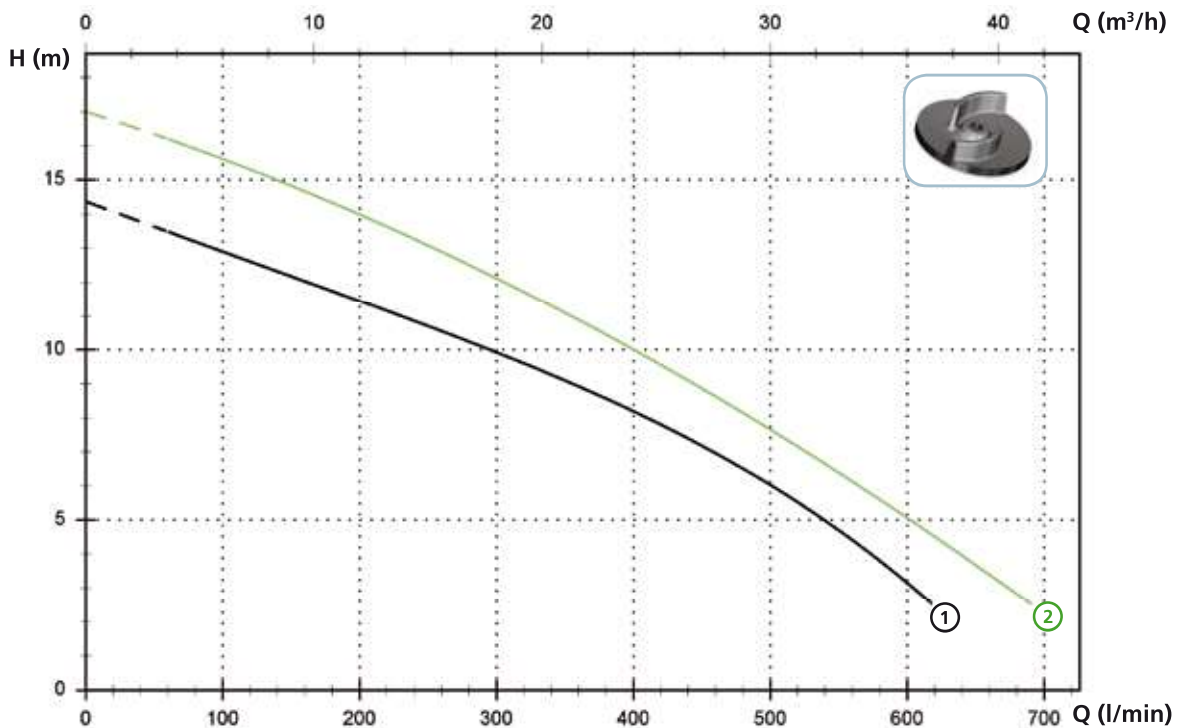
	V	Phases	P1 (kW)	P2 (kW)	A	Rpm	Start	Ø	Free passage
① DR BluePRO 50/2/G32V A1BT/50	400	3	-	0.37	1.15	2900	Dir	G 1 1/4"	15 mm
② DR BluePRO 75/2/G32V A1BT/50	400	3	-	0.55	1.6	2900	Dir	G 1 1/4"	15 mm
③ DR BluePRO 100/2/G32V A1BT/50	400	3	-	0.74	2.15	2900	Dir	G 1 1/4"	15 mm

DR BluePRO

Models with vertical GAS 2" threaded discharge - 2 poles motor

Performances

	<i>l/s</i>	0	2	4	6	8	10
	<i>l/min</i>	0	120	240	360	480	600
	<i>m³/h</i>	0	7.2	14.4	21.6	28.8	36.0
① DR BluePRO 150/2/G50V A1CM(T)/50		14.4	12.6	10.9	8.9	6.5	3.1
② DR BluePRO 200/2/G50V A1CM(T)/50		17.0	15.3	13.3	10.9	8.1	5.1



Technical data

	V	Phases	P1 (kW)	P2 (kW)	A	Rpm	Start	Ø	Free passage
① DR BluePRO 150/2/G50V A1CM/50	230	1	-	1.1	7.5	2900	Dir	G 2"	10x30 mm
② DR BluePRO 200/2/G50V A1CM/50	230	1	-	1.5	10	2900	Dir	G 2"	10x30 mm

	V	Phases	P1 (kW)	P2 (kW)	A	Rpm	Start	Ø	Free passage
① DR BluePRO 150/2/G50V A1CT/50	400	3	-	1.1	3.2	2900	Dir	G 2"	10x30 mm
② DR BluePRO 200/2/G50V A1CT/50	400	3	-	1.5	4.3	2900	Dir	G 2"	10x30 mm

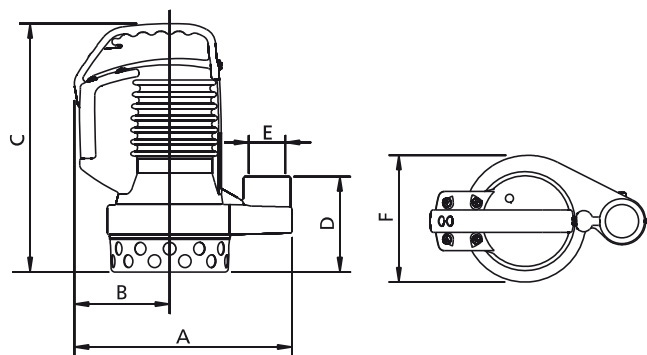
DR BluePRO

Versions available

(Key to versions on page 8)

	Electrical variants											Cooling				Mechanical seals				
	N A E	T	T C	T C D	T C D T	T C D G T	T C G	T C S T	T C S G T	T S	T R	T R G	N	CC CCE	FT	C G F T	2SIC	SICM	SICAL	2SICAL
DR BluePRO 50/2/G32V A1BM/50			●				●						●				●			
DR BluePRO 75/2/G32V A1BM/50			●				●						●				●			
DR BluePRO 100/2/G32V A1BM/50			●				●						●				●			
DR BluePRO 150/2/G50V A1CM/50			●				●						●				●			
DR BluePRO 200/2/G50V A1CM/50			●				●						●				●			
DR BluePRO 50/2/G32V A1BT/50	●											●	●				●			
DR BluePRO 75/2/G32V A1BT/50	●											●	●				●			
DR BluePRO 100/2/G32V A1BT/50	●											●	●				●			
DR BluePRO 150/2/G50V A1CT/50	●											●	●				●			
DR BluePRO 200/2/G50V A1CT/50	●											●	●				●			

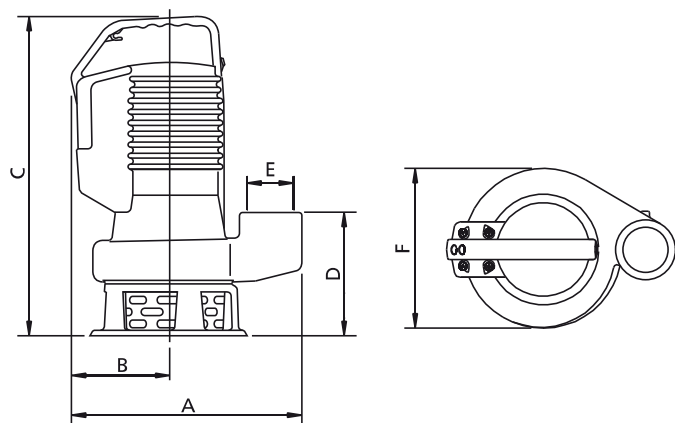
Overall dimensions and weights



	A	B	C	D	E	F	kg
DR BluePRO 50/2/G32V A1BM(T)/50	255	115	290	110	G 1¼"	150	12
DR BluePRO 75/2/G32V A1BM(T)/50	255	115	320	110	G 1¼"	150	13.5
DR BluePRO 100/2/G32V A1BM(T)/50	255	115	320	110	G 1¼"	150	14

Dimensions in mm

All weights and dimensions are indicative only



	A	B	C	D	E	F	kg
DR BluePRO 150/2/G50V A1CM(T)/50	295	125	420	170	G 2"	200	23
DR BluePRO 200/2/G50V A1CM(T)/50	295	125	420	170	G 2"	200	24

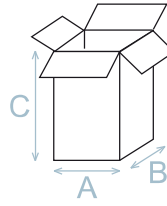
Dimensions in mm

All weights and dimensions are indicative only

DR BluePRO

Packaging dimension

	A	B	C
DR BluePRO 50/2/G32V A1BM(T)/50	240	200	350
DR BluePRO 75/2/G32V A1BM(T)/50	240	200	350
DR BluePRO 100/2/G32V A1BM(T)/50	240	200	350
DR BluePRO 150/2/G50V A1CM(T)/50	300	250	480
DR BluePRO 200/2/G50V A1CM(T)/50	300	250	480



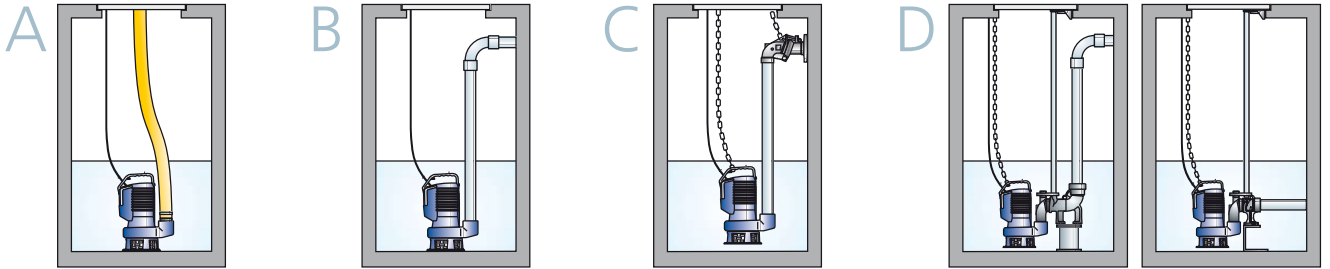
Dimension in mm

All weights and dimensions are indicative only

No. pieces per pallet

For DR BluePRO 50-75-100 models each pallet (EUR 1000x1200 mm) is able to take 75 pieces.
 For DR BluePRO 150-200 models each pallet (EUR 1000x1200 mm) is able to take 32 pieces.

Installations available



For C and D installations of the models DR BluePRO 50-75-100 the joint for reduction is necessary (not included)