

## Compacta – Floodable sewage lifting unit



### Applications:

Disposal of sewage from toilets, washing and shower facilities as well as bathrooms in sections of private, commercial, industrial and public buildings which are below the flood level, e.g. in

- Basement flats, accessory apartments
- Single and two-family houses
- Cinemas and theatres
- Department stores and hospitals
- Hotels, restaurants and pubs or schools
- Public buildings
- Joint sewage disposal for rows of houses
- Industrial plants

### More information:

[www.ksb.com/products](http://www.ksb.com/products)

Your contact:



# Compacta – Floodable sewage lifting unit

## LevelControl Basic 2

The level-dependent control unit for tank filling and emptying processes

- Optimised control unit ensures easy and fast commissioning
- Measured value data as well as operation and fault messages provide detailed status information
- Comprehensive functionality makes for high system availability

## Y-Pipe (duplex-pump units)

- Included in the scope of supply
- Simplifies planning and reduces installation time

## Standard-compliant check valve

- Low-noise pump operation; normal, uninterrupted operation during maintenance work (duplex-pump units)

## Inlet connections

- Various inlet nozzle positions and diameters
- Easy to adapt to the most complicated site conditions

## Collecting tank

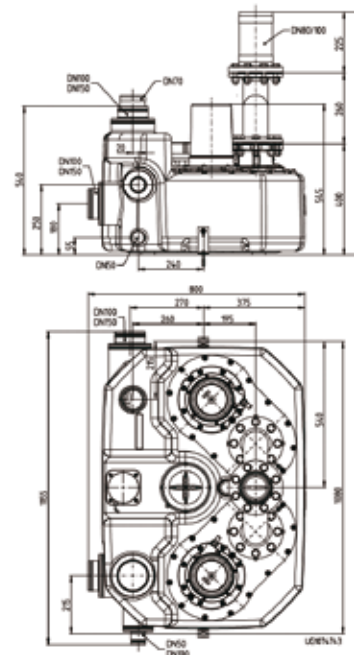
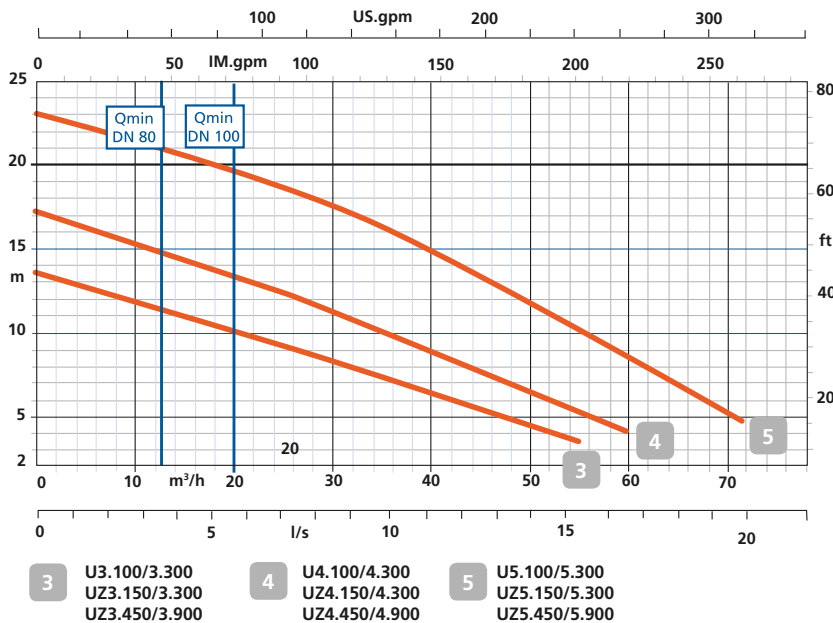
- Improved volume / footprint ratio
- Better space utilisation

## Integrated grips

- Ergonomically designed
- Safe handling during transport and installation

Also available: C variant for aggressive fluids.

Characteristic curves of Compacta 3-5



### Single-pump unit / Duplex-pump unit with Y-Pipe

Single-pump unit	Duplex-pump unit	Total volume
U3.100 D, U4.100 D, U5.100 D		100 l
U3.300 D, U4.300 D, U5.300 D		300 l
	UZ3.150 D, UZ4.150 D, UZ5.150 D	150 l
	UZ3.300 D, UZ4.300 D, UZ5.300 D	300 l

### Technical data

Q	Up to 72 m³/h, 20 l/s
H	Up to 23 m
t	Up to +40 °C (+65 °C for max. 5 minutes)
Power supply	400 V
Speed	Up to 3.000 min <sup>-1</sup>
Factory-automated with LevelControl Higher H/Q data on request	



KSB Aktiengesellschaft  
Johann-Klein-Straße 9  
67227 Frankenthal (Germany)  
www.ksb.com