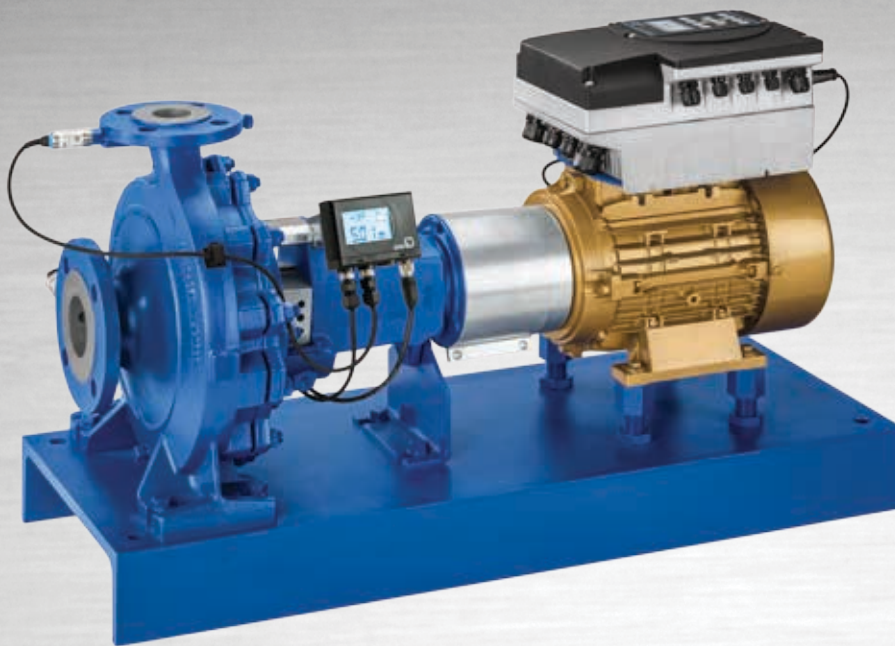


Etanorm / Etanorm R – Standardised Water Pumps



Applications:

Pump for handling clean or aggressive fluids not chemically and mechanically aggressive to the pump materials.

- Water supply systems
- Cooling circuits
- Swimming pools
- Fire-fighting systems
- General irrigation systems
- Drainage systems
- Heating systems
- Air-conditioning systems
- Spray irrigation systems

More information:

www.ksb.com/products

Etanorm with PumpMeter, KSB SuPremE® IE5 motor* and PumpDrive

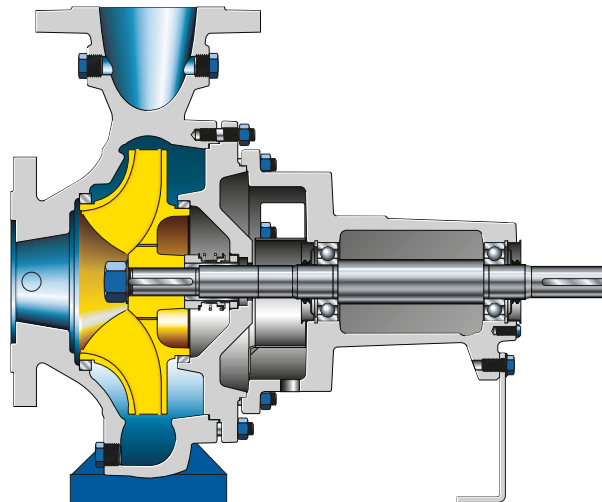


Etanorm with PumpMeter and IE3-motor



Etanorm R

Etanorm / Etanorm R – Standardised Water Pumps



High energy efficiency

Optimised and tested hydraulic system of high efficiency. As a standard, the impellers are trimmed to the operating point.

Ground-breaking features for saving energy

Equipped with PumpDrive for variable-speed operation. When used in combination with the KSB SuPremE® motor, the pump achieves the efficiency level IE5*.

Operating reliability

- Good suction performance for low vibration levels and very smooth running.
- Wetted parts are free from primers and thus generally recognised as safe for handling drinking water.

Diversity of variants

Additional sizes for small flow rates extend the already diverse range of selection charts.

Versatile

- Great choice of materials for many applications available as a standard.
- Hydraulic test run to ISO 9906 3B, 2B and 2U available.
- Drilled holes for temperature and vibration measurement available as an option.
- Wide choice of seals for demanding fluids.
- Available in a wide choice of materials for a large variety of fluids.

Service-friendly

- Fast delivery of new pumps and spare parts.
- Easier to assemble and dismantle thanks to the larger seal chamber and forcing screws between the casing cover and bearing bracket.
- The compact and robust design of the single cartridge mechanical seal makes for easy and economical installation.

Material variants	Etanorm	Etanorm R
Grey cast iron EN-GJL-250 / A 48 CL 35B	■	■
Nodular cast iron EN-GJS-400-15/A536 GR 60-40-18	■	–
Stainless steel 1.4408 / A743 Gr CF8 M	■	–
Bronze CC480K-GS/B30 C90700	■	–
Nodular cast iron JS1025	–	■

Technical data	Etanorm	Etanorm R
Flow rate	Up to 640 m ³ /h (50 Hz) Up to 740 m ³ /h (60 Hz)	Up to 1,900 m ³ /h (50 Hz) Up to 2,300 m ³ /h (60 Hz)
Head	Up to 160 m (50 Hz) Up to 160 m (60 Hz)	Up to 101 m (50 Hz) Up to 106 m (60 Hz)
Fluid temperature	-30 °C to +140 °C	
Pressure	Up to 16 bar	

* IE5 in accordance with IEC/TS 60034-30-2 up to 15/18.5 kW (only for 1500 rpm types rated 0.55 kW, 0.75 kW, 2.2 kW, 3 kW, 4 kW: IE5 in preparation)



KSB SE & Co. KGaA
Johann-Klein-Straße 9
67227 Frankenthal (Germany)
www.ksb.com