

pumpa[®]

EXPANSION VESSELS



Vessels sizes

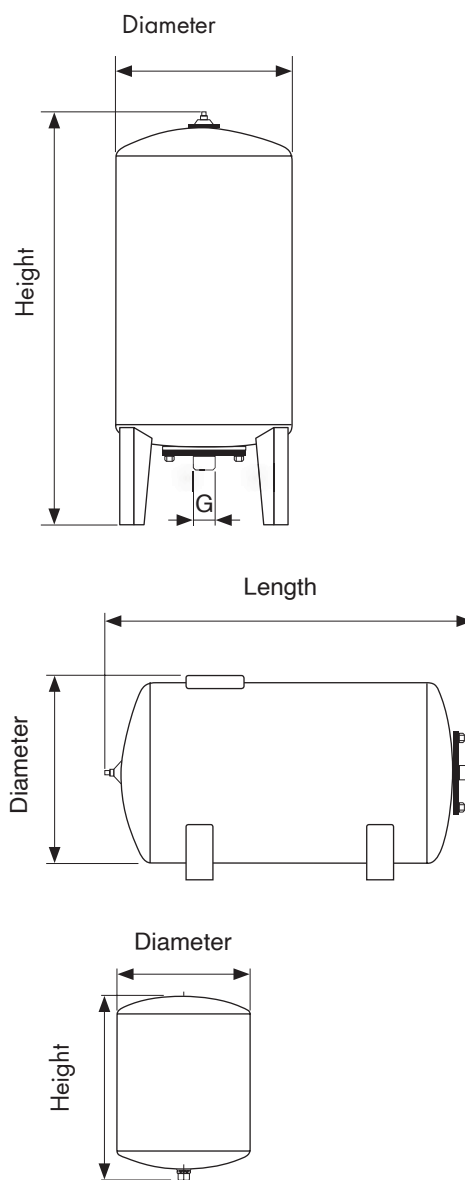
Type	Model name	Highest working pressure (bar)	Height/Length (mm)	Diam. (mm)	Connection G	Weight (kg)
Vertical, without legs	SM-V 35	10	470	380	1"	7,5
	SMH 24	10	470	320	1"	5,8
	SMH 50	10	620	380	1"	10,5
Horizontal	SMH 60	10	670	380	1"	14,5
	SMH 80	10	720	430	1"	16,7
	SMH 100	10	800	460	1"	17,8
Vertical	SM 50	10	750	380	1"	10,6
	SM 60	10	810	380	1"	14,5
	SM 80	10	960	430	1"	17
	SM 100	10	990	460	1"	18,5
	SM 200	10	1120	590	5/4"	36
	SM 300	10	1230	640	5/4"	45
	SM 500	10	1550	750	5/4"	82
	SM 750	10	1950	750	2"	115
	SM 1000	10	2180	800	2"	165
	SM 1500	10	2380	960	2"	240
	SM 2000	10	2520	1100	2"	375
	SM 3000	10	2800	1200	2 1/2"	550
	SM 4000	10	3100	1450	3"	655
	SM 5000	10	3720	1450	3"	830
	Vertical	SM 50	16	750	380	1"
SM 100		16	990	460	1"	50
SM 200		16	1120	590	5/4"	75
SM 300		16	1230	640	5/4"	110
SM 500		16	1550	750	5/4"	123
SM 750		16	1850	750	2"	220
SM 1000		16	2180	800	2"	250
SM 1500		16	2380	960	2"	340
SM 2000		16	2520	1100	2"	590
SM 3000		16	2800	1200	2 1/2"	820
SM 4000		16	3100	1450	3"	980
SM 5000		16	3720	1450	3"	1200

Features:

- Replaceable EPDM membrane
- Operating temperature: -10/+100 °C
- Operating pressure: 10, 16 bar
- 25 bars on request

Use:

- Suitable for water supply.
- Pressure vessels for domestic water plants.
- Maintaining constant pressure in water distribution.



pumpa

BRNO
U Svitavy 1, 618 00 Brno
tel.: +420 548 422 611

e-mail: obchod@pumpa.cz

PRAHA
U Pekáren 2, 102 00 Praha 10
tel.: +420 272 011 611

e-mail: praha@pumpa.cz

SERVIS 24/7 HOD
602 737 009

VOLAT ZDARMA
800 100 763

www.pumpa.cz

