

pumpa[®]

black line

BLACK LINE

Wastewater pumps



Wastewater pumping for domestic,
industrial and municipal use.

pumpa®

black line

PUMPA BLACK LINE BLV 0,45 – 1,5 kW

Submersible wastewater pump

BLACK LINE BLV

Output power: 0,45 – 1,5 kW

Max. head: 18 m

Max. flow: 28 m³/hod

VORTEX impeller



Description

Wastewater pump with VORTEX impeller.
Designed for pumping wastewater.

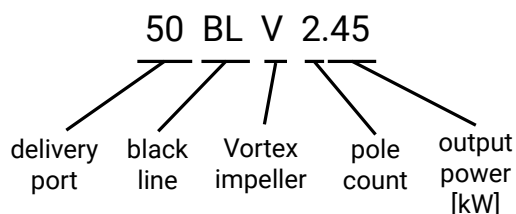
Technical specification

Max. immersion depth	10 m
Max. liquid temperature	40 °C
Cable length	8 m
Protection	IP 68
Insulation class	B
RPM	2900
pH	6-10

Application

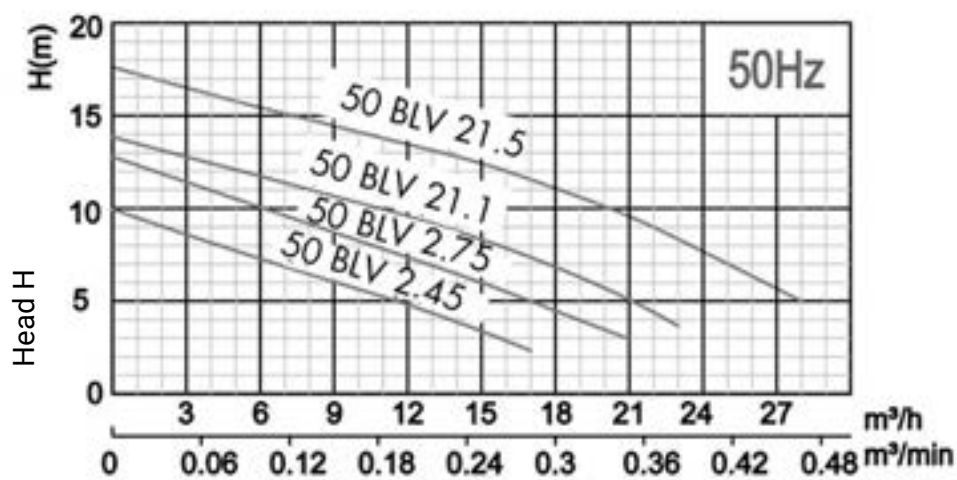
- wastewater pumping
- drainage water pumping
- rainwater pumping
- domestic and small industrial applications

Label



Model	Output power (kW)	Voltage	Delivery port	Passage of impeller (mm)	Rated parameters		Maximum parameters		Float switch
					Q (m ³ /h)	H (m)	Qmax (m ³ /h)	Hmax (m)	
50 BLV 2.45	0,45	400V	DN50	35	10	6	17	10	-
50 BLV 2.45 F	0,45	230V	DN50	35	10	6	17	10	yes
50 BLV 2.75	0,75	400V	DN50	35	10	8	21	13	-
50 BLV 2.75 F	0,75	230V	DN50	35	10	8	21	13	yes
50 BLV 21.1	1,1	400V	DN50	35	15	8	23	14	-
50 BLV 21.1 F	1,1	230V	DN50	35	15	8	23	14	yes
50 BLV 21.5	1,5	400V	DN50	35	15	12	28	18	-
50 BLV 21.5 F	1,5	230V	DN50	35	15	12	28	18	yes

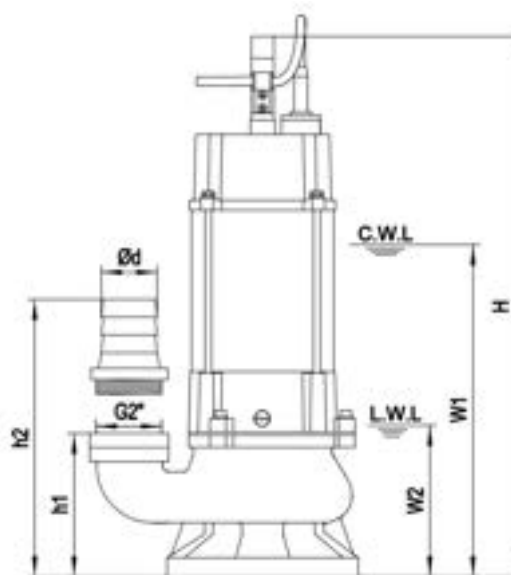
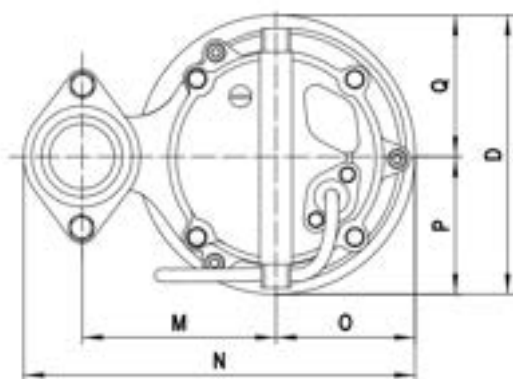
Hydraulic performance curves



Flow Q

Dimensions

CWL: continuous running water level
LWL: lowest running water level



Model	Ød	h1	h2	W1	W2	H	O	P	Q	D	M	N	Dimensions and weight		
													N.W	G.W	Dimensions
50 BLV 2.45	50	135	200	280	130	475	86	86	86	172	120	240	17,5 kg	19 kg	495x260x220
50 BLV 2.45 F	50	135	200	280	130	475	86	86	86	172	120	240	17,5 kg	19 kg	495x260x220
50 BLV 2.75	50	135	200	290	130	485	86	86	8ž	172	120	240	19 kg	20,5 kg	505x260x220
50 BLV 2.75 F	50	135	200	300	130	495	86	86	86	172	120	240	19,5 kg	21 kg	515x260x220
50 BLV 21.1	50	135	200	305	125	495	90	90	90	180	140	265	20 kg	21,5 kg	520x285x225
50 BLV 21.1 F	50	135	200	320	125	510	90	90	90	180	140	265	21 kg	22,5 kg	535x285x225
50 BLV 21.5	50	135	200	320	125	510	90	90	90	180	140	265	22 kg	23,5 kg	535x285x225
50 BLV 21.5 F	50	135	200	335	125	530	90	90	90	180	140	265	23,5 kg	25 kg	555x285x225

Dimensions in mm.

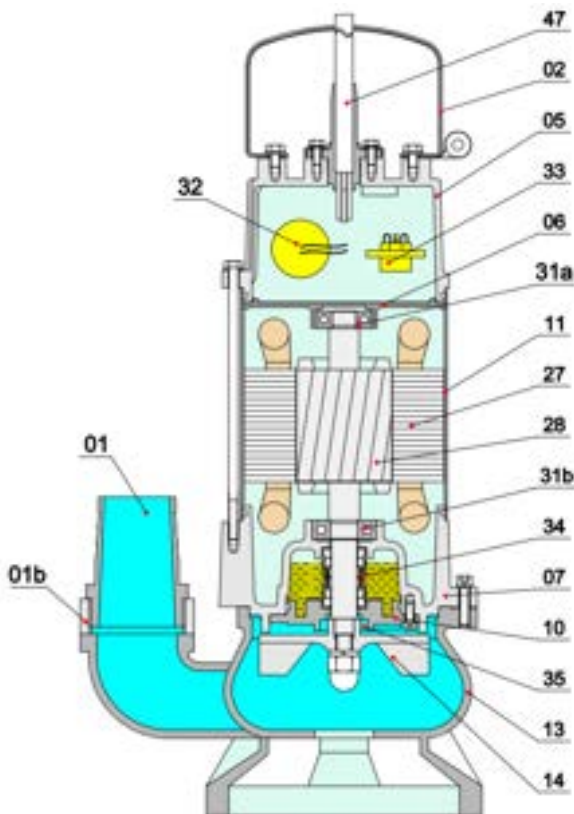
pumpa[®]

black line

Submersible wastewater pump

PUMPA BLACK LINE BLV 0,45 - 1,5 kW

Material version



Number	Components	Material
01	Hose coupling	ABS
01b	Hose coupling	Cast iron
02	Handle	Stainless steel
05	Top cover	Cast iron
06	Upper bearing housing	Cast iron
07	Bearing housing	Cast iron
10	Seal holder	Cast iron
11	Motor casing	Stainless steel
13	Pump casing	Cast iron
14	Impeller	Cast iron
27	Stator	
28	Rotor	Shaft: AISI304SS
31a	Bearing	Ball bearing
31b	Bearing	Ball bearing
32	Capacitor	Only single-phase
33	Motor protection	
34	Mechanical seal	SiC-SiC / carbon-ceramic
35	Sealing	
47	Cable	

pumpa[®]

black line

PUMPA BLACK LINE BLV 2,2 - 5,5 kW

Submersible wastewater pump

BLACK LINE BLV

Output power: 2,2 - 5,5 kW
Max. head: 23 m
Max. flow: 70 m³/hod
VORTEX impeller



Description

Wastewater pump with VORTEX impeller. Designed for pumping wastewater containing particles up to 56 mm in diameter.

Technical specification

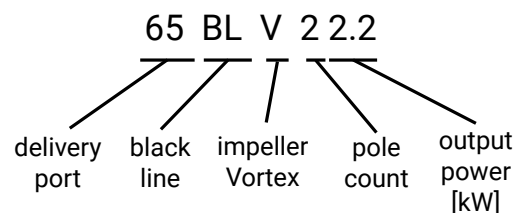
Max. immersion depth	10 m
Max. liquid temperature	40 °C
Cable length	8/15 m
Protection	IP 68
Insulation class	B
RPM	2900
pH	6-10

A counterflange with inside thread is included.

Application

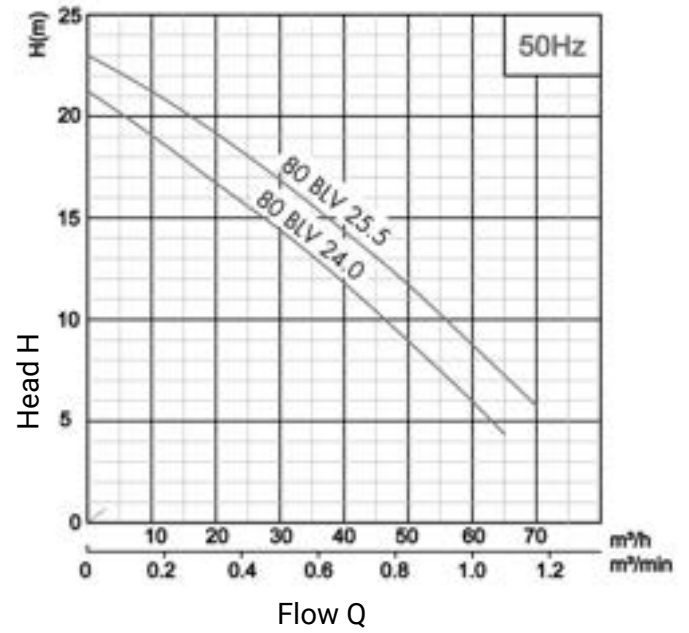
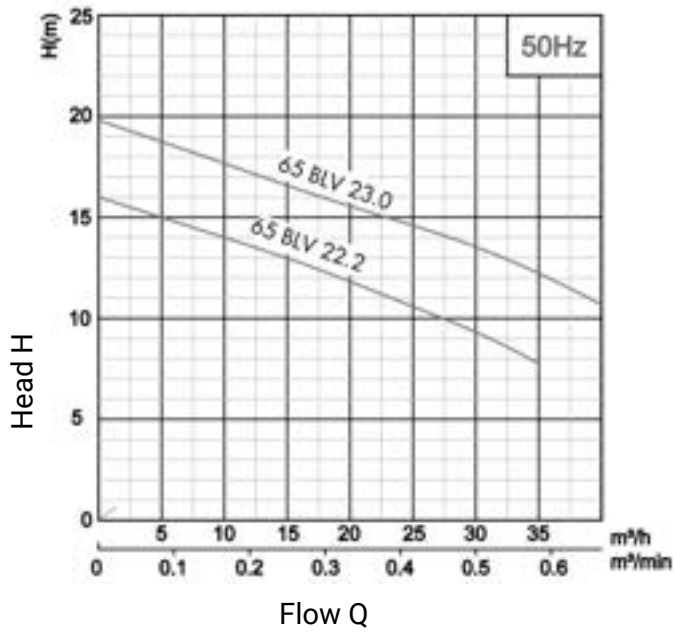
- wastewater pumping
- pumping stations
- sewage treatment plant
- pumping of drainage water
- rainwater pumping
- industrial application

Label



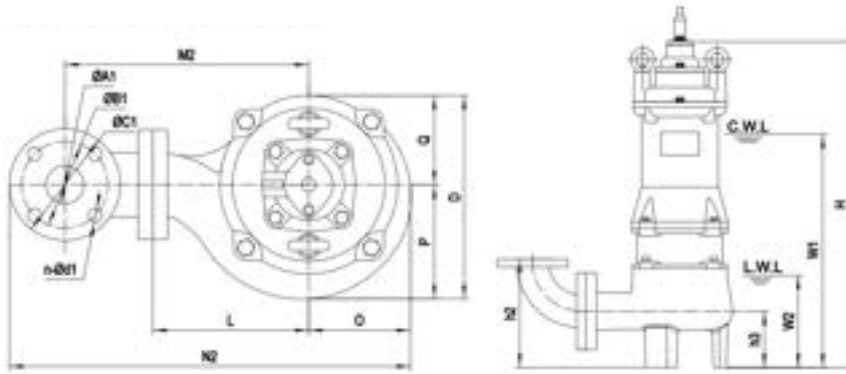
Model	Output power (kW)	Voltage	Delivery port	Passage of impeller (mm)	Rated parameters		Maximum parameters		Lowering device
					Q (m ³ /h)	H (m)	Qmax (m ³ /h)	Hmax (m)	
65 BLV 22.2	2,2	400V	DN65	56	25	10	35	16	65-65
65 BLV 23.0	3	400V	DN65	56	25	15	40	20	65-65
80 BLV 24.0	4	400V	DN80	56	40	12	65	21	80-80
80 BLV 25.5	5,5	400V	DN80	56	50	12	70	23	80-80

Hydraulic performance curves



Dimensions

Installation (Y) – flanged elbow



CWL: continuous running water level
LWL: lowest running water level

Model	Ød	G	ØA1	ØB1	ØC1	n-Ød1	h1	h2	h3	W1	W2	H	O	P	Q	L	D	M1	M2	N1	N2
65 BLV 22.2	65	G2"	65	130	160	4-Ø14	210	210	90	425	170	585	100	102	93	155	195	227	267	360	447
65 BLV 23.0	65	G2"	65	130	160	4-Ø14	210	210	90	440	170	620	100	102	93	155	195	227	267	360	447
80 BLV 24.0	80	G2½"	80	150	190	4-Ø18	245	240	100	455	170	645	105	110	100	175	210	267	317	410	517
80 BLV 25.5	80	G2½"	80	150	190	4-Ø18	245	240	100	480	170	675	110	113	105	175	223	267	317	413	520

Dimensions in mm.

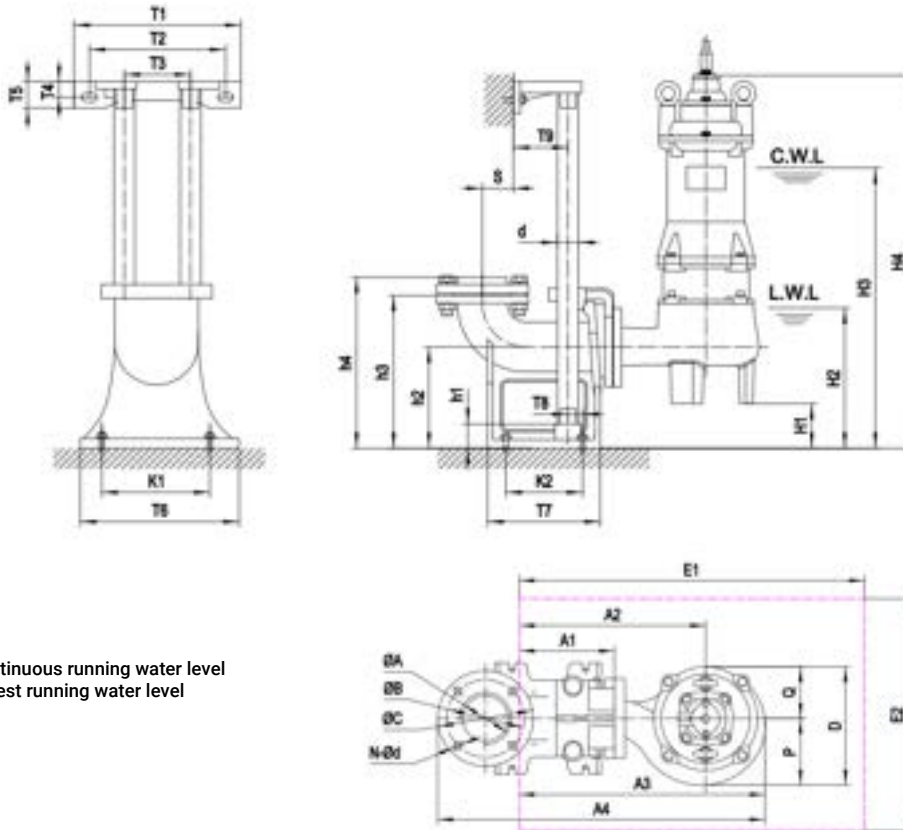
pumpa[®]

black line

Submersible wastewater pump

PUMPA BLACK LINE BLV 2,2 - 5,5 kW

Installation (Z) - lowering device



CWL: continuous running water level
LWL: lowest running water level

Lowering device	ØA	ØB	ØC	N-Ød	T1	T2	T3	T4	T5	T6	T7	T8	T9	K1	K2	S	h1	h2	h3	h4
65-65(PN6)	Ø65/ G2½"	130	160	4-Ø14	280	230	125	30	50	230	235	20	70	190	155	90	25	165	265	295
80-80(PN6)	Ø80/ G3"	150	190	4-Ø18	315	265	145	27	50	255	225	30	78	215	155	77	25	190	305	335

Model	Lowering device	H1	H2	H3	H4	A1	A2	A3	A4	P	Q	D	E1x E2	Dimensions and weight		
														N.W	G.W	Dimensions
65 BLV 22.2	65-65(PN6)	75	245	500	660	155	245	410	580	102	93	195	650x550	36 kg	42 kg	700x230x305
65 BLV 23.0	65-65(PN6)	75	245	515	695	155	245	410	580	102	93	195	650x550	45 kg	51 kg	740x230x305
80 BLV 24.0	80-80(PN6)	90	260	545	735	175	260	455	628	110	100	210	650x550	54 kg	59 kg	760x250x335
80 BLV 25.5	80-80(PN6)	90	260	570	765	175	260	460	632	113	105	218	650x550	68 kg	72 kg	790x260x335

Dimensions in mm.

pumpa[®]

black line

Submersible wastewater pump

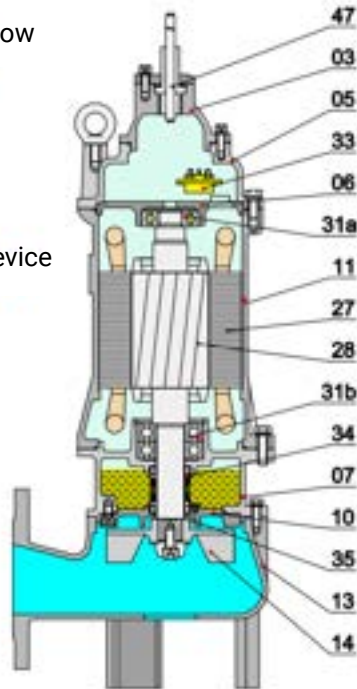
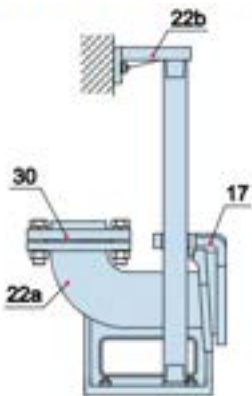
PUMPA BLACK LINE BLV 2,2 - 5,5 kW

Material version

Installation (Y) – flanged elbow



Installation (Z) – lowering device



Number	Components	Material
01	Hose coupling	Cast iron
01a	Hose coupling	Cast iron
03	Terminal box	Cast iron
05	Top cover	Cast iron
06	Upper bearing housing	Cast iron
07	Bearing housing	Cast iron
10	Seal holder	Cast iron
11	Motor casing	Cast iron
13	Pump casing	Cast iron
14	Impeller	Cast iron
17	Connection adapter	Cast iron
22a	Connection seat	Cast iron
22b	Upper line support	Cast iron
27	Stator	
28	Rotor	Shaft: AISI304SS
30	Flange	Cast iron
31a	Bearing	Ball bearing
31b	Bearing	Ball bearing
33	Motor protection	
34	Mechanical seal	SiC-SiC/ carbon-ceramic
35	Seal	
47	Cable	

pumpa®

black line

PUMPA BLACK LINE BLV 5,5 - 11 kW

Submersible wastewater pump

BLACK LINE BLV

Output power: 5,5 – 11 kW

Max. head: 18 m

Max. flow: 190 m³/hod

VORTEX impeller



Description

Wastewater pump with VORTEX impeller. Designed for pumping sewage wastewater containing particles up to 100 mm in diameter.

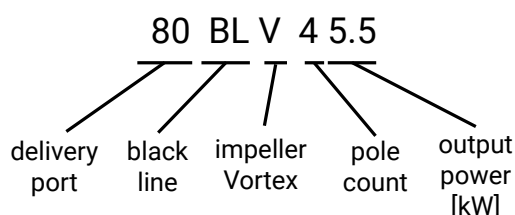
Technical specification

Max. immersion depth	20 m
Max. liquid temperature	40 °C
Cable length	8/15 m
Protection	IP 68
Insulation class	B
RPM	1500
pH	6-10

Application

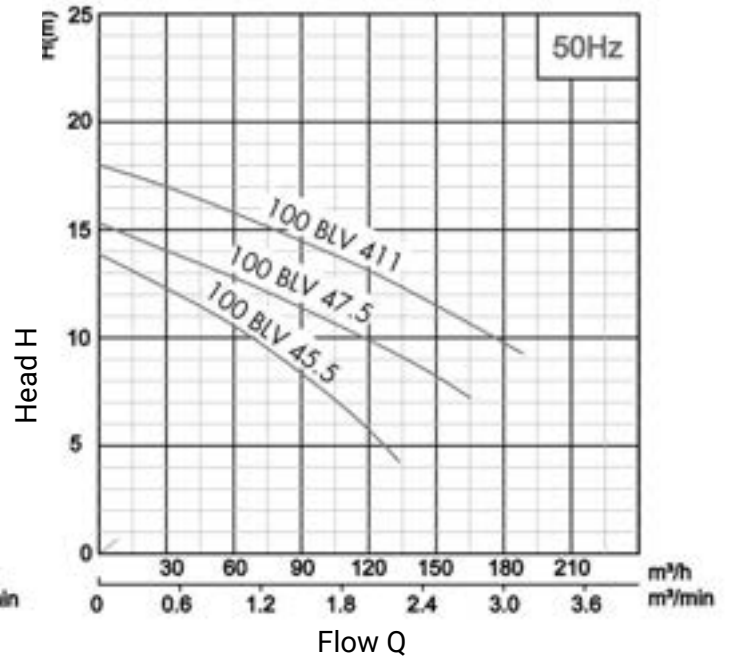
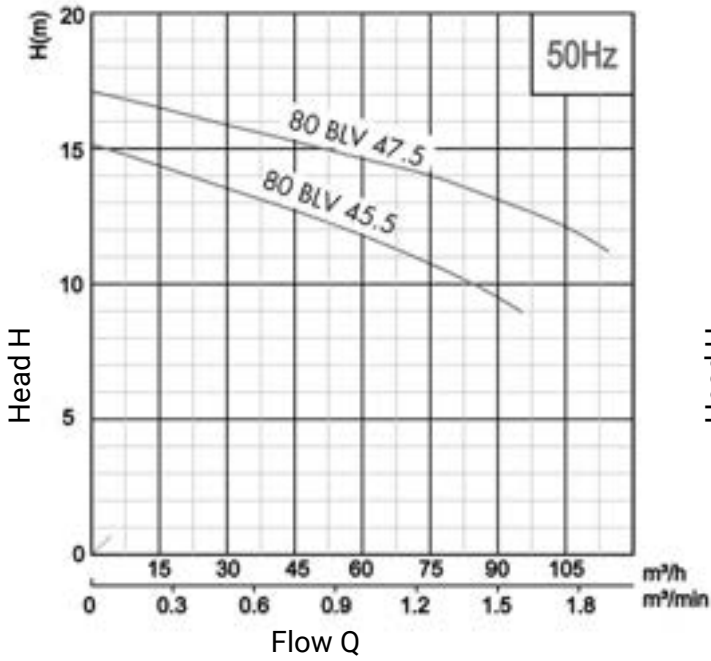
- wastewater pumping
- pumping stations
- sewage treatment plant
- pumping of drainage water
- rainwater pumping
- industrial application

Label



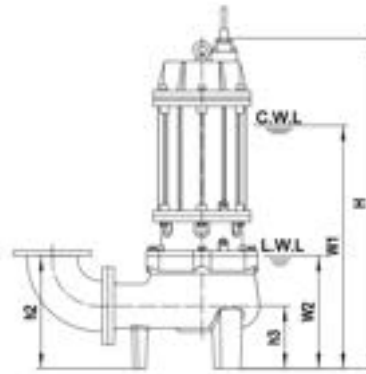
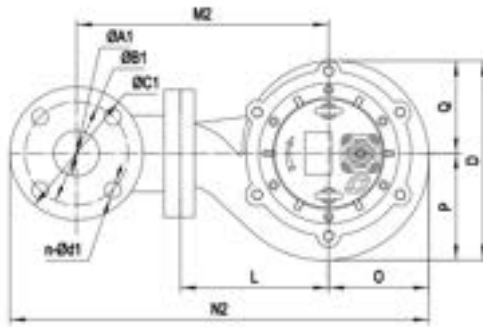
Model	Output power (kW)	Voltage	Delivery port	Passage of impeller (mm)	Rated parameters		Maximum parameters		Lowering device
					Q (m ³ /h)	H (m)	Qmax (m ³ /h)	Hmax (m)	
80 BLV 45.5	5,5	400V	DN80	80	60	12	95	15	80-80
100 BLV 45.5	5,5	400V	DN100	100	80	9	135	14	100-100
80 BLV 47.5	7,5	400V	DN80	80	80	14	110	17	80-80
100 BLV 47.5	7,5	400V	DN100	100	110	10	165	15	100-100
100 BLV 411	11	400V	DN100	100	110	13	190	18	100-100

Hydraulic performance curves



Dimensions

Installation (Y) – flanged elbow



CWL: continuous running water level
LWL: lowest running water level

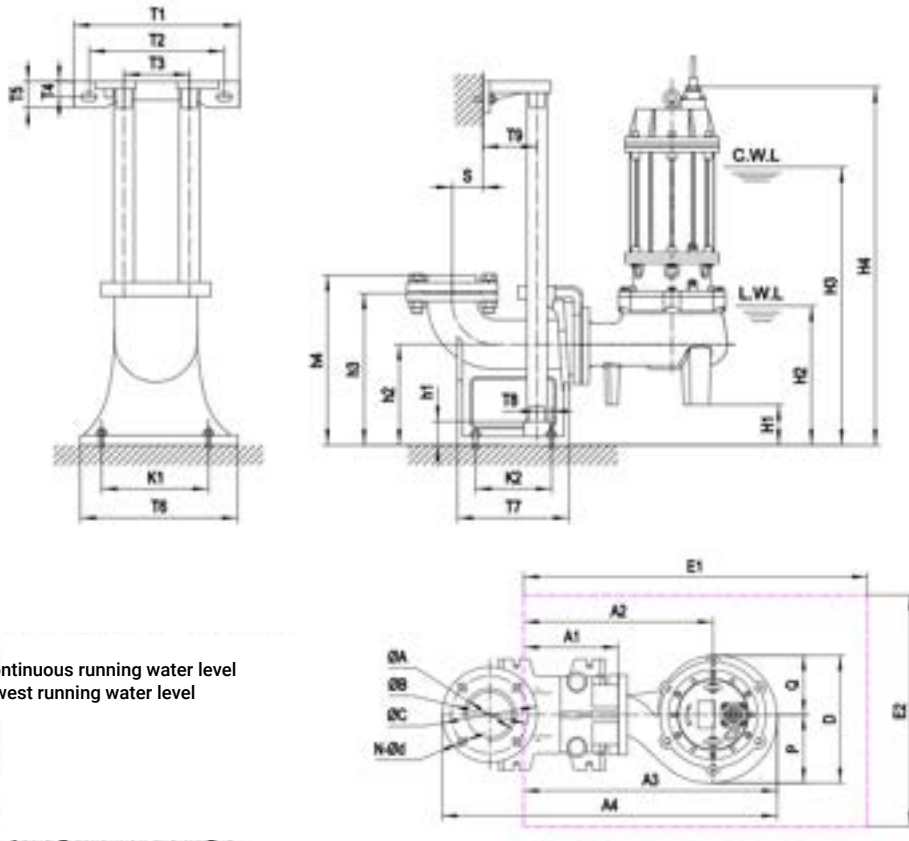
Model	Ød	G	ØA1	ØB1	ØC1	n-Ød1	h1	h2	h3	W1	W2	H	O	P	Q	L	D	M1	M2	N1	N2
80 BLV 45.5	80	G2½"	80	150	190	4-Ø18	285	280	140	590	255	805	153	172	172	230	344	322	372	512	620
100 BLV 45.5	100	-	100	170	210	4-Ø18	340	320	170	630	300	850	156	172	172	260	344	362	412	568	673
80 BLV 47.5	80	G2½"	80	150	190	4-Ø18	285	280	140	635	255	850	153	172	172	230	344	322	372	512	620
100 BLV 47.5	100	-	100	170	210	4-Ø18	340	320	170	675	300	895	156	172	172	260	344	362	412	568	673
100 BLV 411	100	-	100	170	210	4-Ø18	340	320	170	735	300	955	156	172	172	260	344	362	412	568	673

Dimensions in mm.

Submersible wastewater pump

PUMPA BLACK LINE BLV 5,5 - 11 kW

Installation (Z) - lowering device



CWL: continuous running water level
LWL: lowest running water level

Lowering device	ØA	ØB	ØC	N-Ød	T1	T2	T3	T4	T5	T6	T7	T8	T9	K1	K2	S	h1	h2	h3	h4
80-80(PN6)	Ø80/ G3"	150	190	4-Ø18	315	265	145	27	50	255	225	30	78	215	155	77	25	190	305	335
100-100(PN6)	Ø100/ G4"	170	210	4-Ø18	365	305	170	32	55	295	260	35	95	265	175	100	25	230	350	380

Model	Lowering device	H1	H2	H3	H4	A1	A2	A3	A4	P	Q	D	E1xE2	Dimensions and weight		
														N.W	G.W	Dimensions
80 BLV 45.5	80-80(PN6)	50	305	640	855	175	405	560	730	172	172	344	750x550	127 kg	140 kg	934x384x465
100 BLV 45.5	100-100(PN6)	60	360	690	910	200	460	615	822	172	172	344	850x550	130 kg	143 kg	974x384x495
80 BLV 47.5	80-80(PN6)	50	305	685	900	175	405	560	730	172	172	344	750x550	142 kg	156 kg	984x384x465
100 BLV 47.5	100-100(PN6)	60	360	735	950	200	460	615	822	172	172	344	850x550	145 kg	159 kg	1024x384x495
100 BLV 411	100-100(PN6)	60	360	795	1015	200	460	615	822	172	172	344	850x550	164 kg	179 kg	1094x384x495

Dimensions in mm.

pumpa[®]

black line

Submersible wastewater pump

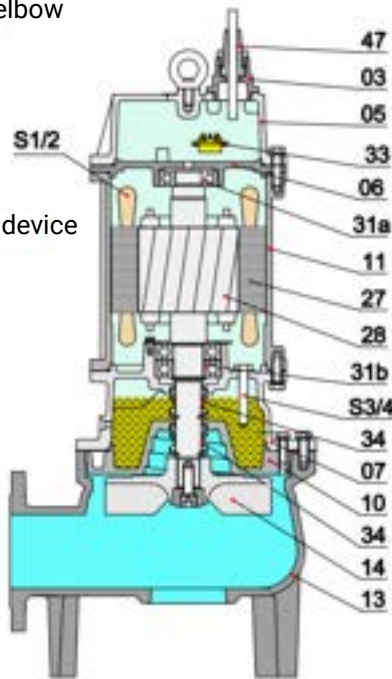
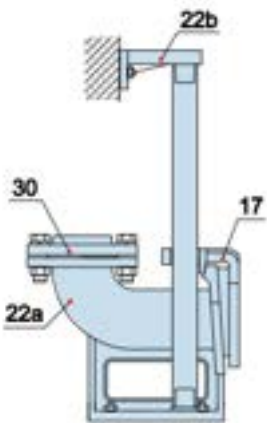
PUMPA BLACK LINE BLV 5,5 - 11 kW

Material version

Installation (Y) – flanged elbow



Installation (Z) - lowering device



Number	Components	Material
01	Hose coupling	Cast iron
01a	Hose coupling	Cast iron
03	Terminal box	Cast iron
05	Top cover	Cast iron
06	Upper bearing housing	Cast iron
07	Bearing housing	Cast iron
10	Seal holder	Cast iron
11	Motor casing	Cast iron
13	Pump casing	Cast iron
14	Impeller	Cast iron
17	Connection adapter	Cast iron
22a	Connection seat	Cast iron
22b	Upper line support	Cast iron
27	Stator	
28	Rotor	Shaft: AISI304SS
30	Flange	Cast iron
31a	Bearing	Ball bearing
31b	Bearing	Ball bearing
33	Motor protection	
34	Mechanical seal	SiC-SiC
47	Cable	
S1/2	Overheat protection (on demand)	
S3/4	Oil leak probe (on demand)	

pumpa®

black line

PUMPA BLACK LINE BLK

Submersible wastewater pump

BLACK LINE BLK

Output power: 2,2 - 7,5 kW
Max. head: 24 m
Max. flow: 200 m³/hod
CANAL impeller



Description

Wastewater pump with canal impeller. Designed for pumping wastewater containing coarse impurities.

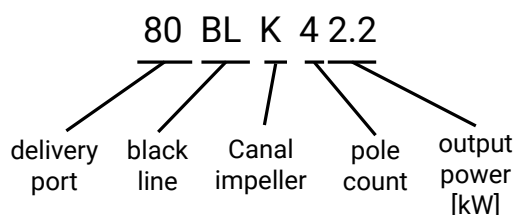
Technical specification

Max. immersion depth	10 m
Maximální teplota kapaliny	40 °C
Cable length	8/15 m
Protection	IP 68
Insulation class	B
RPM	1450
pH	6-10

Application

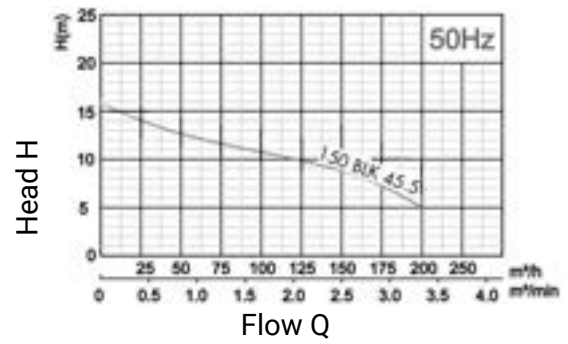
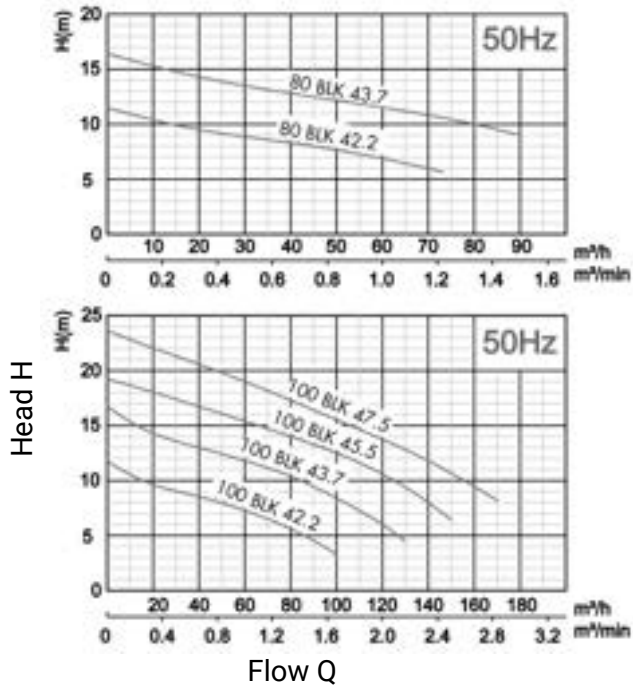
- wastewater pumping
- pumping of drainage water
- pumping of rainwater
- industrial applications
- pumping stations, wastewater treatment plants

Label



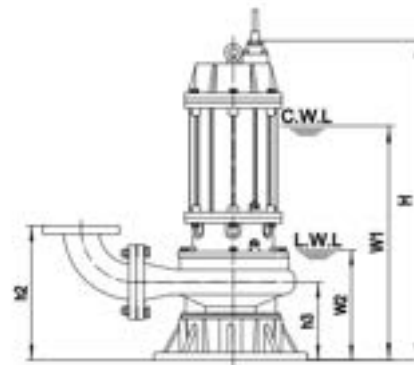
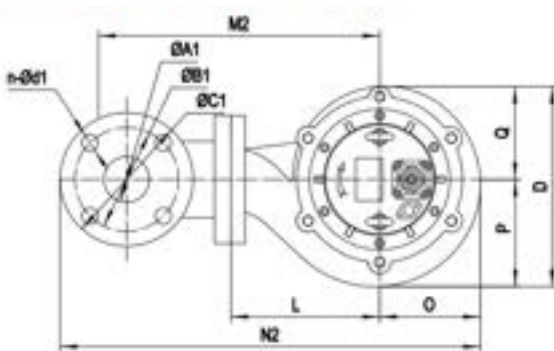
Model	Output power (kW)	Voltage	Delivery port	Passage of impeller (mm)	Rated parameters		Maximum parameters		Lowering device
					Q (m ³ /h)	H (m)	Qmax (m ³ /h)	Hmax (m)	
80 BLK 42.2	2,2	400V	DN80	50	45	8	73	12	80-80
100 BLK 42.2	2,2	400V	DN100	50	60	7	100	12	100-100
80 BLK 43.7	3,7	400V	DN80	50	45	13	90	17	80-80
100 BLK 43.7	3,7	400V	DN100	50	60	12	130	17	100-100
100 BLK 45.5	5,5	400V	DN100	50	65	15	150	19	100-100
150 BLK 45.5	5,5	400V	DN150	55	110	10	200	16	150-150
100 BLK 47.5	7,5	400V	DN100	50	100	15	170	24	100-100

Hydraulic performance curves



Dimensions

Installation (Y) – flanged elbow



CWL: continuous running water level
LWL: lowest running water level

Lowering device	ØA	ØB	ØC	$N-\text{Ød}$	T1	T2	T3	T4	T5	T6	T7	T8	T9	K1	K2	S	h1	h2	h3	h4
80-80(PN6)	$\text{Ø}80/\text{G}3''$	150	190	4- $\text{Ø}18$	315	265	145	27	50	255	225	30	78	215	155	77	25	190	305	335
100-100(PN6)	$\text{Ø}100/\text{G}4''$	170	210	4- $\text{Ø}18$	365	305	170	32	55	295	260	35	95	265	175	100	25	230	350	380
150-150(PN6)	$\text{Ø}150$	225	265	8- $\text{Ø}18$	400	260	280	24	48	400	410	75	95	280	300	200	390	300	480	-

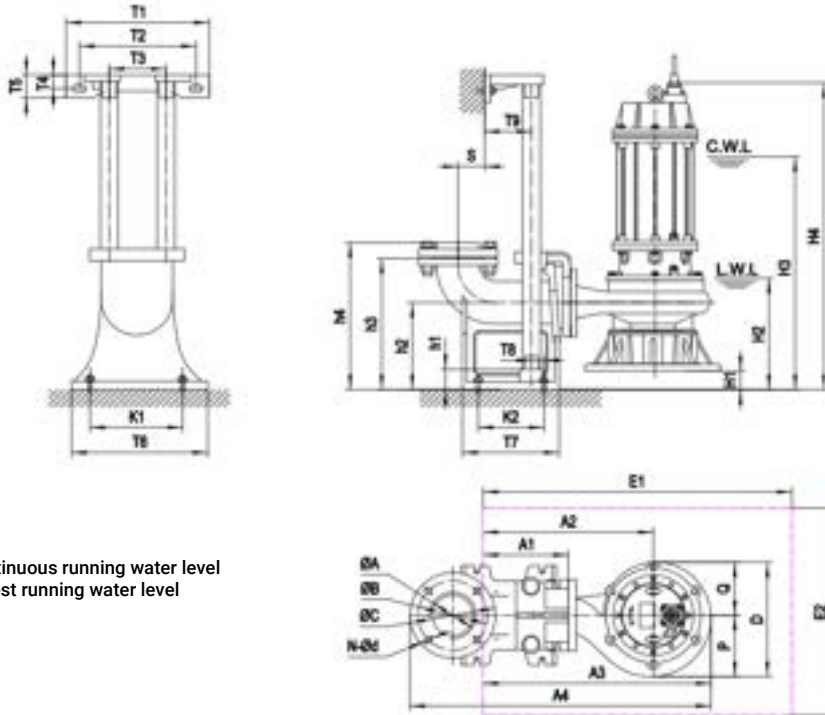
Dimensions in mm.

pumpa[®]

black line

Submersible wastewater pump
PUMPA BLACK LINE BLK

Installation (Z) - lowering device



CWL: continuous running water level
LWL: lowest running water level

Model	Lowering device	H1	H2	H3	H4	A1	A2	A3	A4	P	Q	D	E1x E2	Dimensions and weight		
														N.W	G.W	Dimensions
80 BLK 42.2	80-80(PN6)	25	260	500	650	175	395	560	730	176	160	336	800x600	73 kg	82 kg	735x375x465
100 BLK 42.2	100-100(PN6)	65	300	540	690	200	420	582	790	176	160	336	800x600	74 kg	83 kg	735x375x465
80 BLK 43.7	80-80(PN6)	25	260	560	710	175	395	560	730	176	160	336	800x600	83 kg	92 kg	795x375x465
100 BLK 43.7	100-100(PN6)	65	300	600	750	200	420	582	790	176	160	336	800x600	84 kg	93 kg	795x375x465
100 BLK 45.5	100-100(PN6)	42	295	625	845	200	480	670	875	202	180	382	900x600	137 kg	150 kg	934x414x555
150 BLK 45.5	150-150(PN6)	93	380	710	930	285	585	785	1125	215	185	400	1000x600	142 kg	155 kg	964x444x585
100 BLK 47.5	100-100(PN6)	42	295	670	890	200	480	670	875	202	180	382	900x600	153 kg	166 kg	984x414x555

Model	Ød	ØA1	ØB1	ØC1	n-Ød1	h1	h2	h3	W1	W2	H	O	P	Q	L	D	M1	M2	N1	N2
80 BLK 42.2	80	80	150	190	4-Ø18	310	305	165	475	232	622	163	176	160	220	336	312	362	513	620
100 BLK 42.2	100	100	170	210	4-Ø18	335	315	165	475	232	622	163	176	160	220	336	322	372	535	640
80 BLK 43.7	80	80	150	190	4-Ø18	310	305	165	540	232	687	163	176	160	220	336	312	362	513	620
100 BLK 43.7	100	100	170	210	4-Ø18	335	315	165	540	232	687	163	176	160	220	336	322	372	535	640
100 BLK 45.5	100	100	170	210	4-Ø18	360	340	190	585	255	805	190	202	180	280	382	382	432	622	727
150 BLK 45.5	150	150	225	265	8-Ø18	430	405	205	615	285	835	200	215	185	300	400	452	502	726	834
100 BLK 47.5	100	100	170	210	4-Ø18	360	340	190	630	255	850	190	202	180	280	382	382	432	622	727

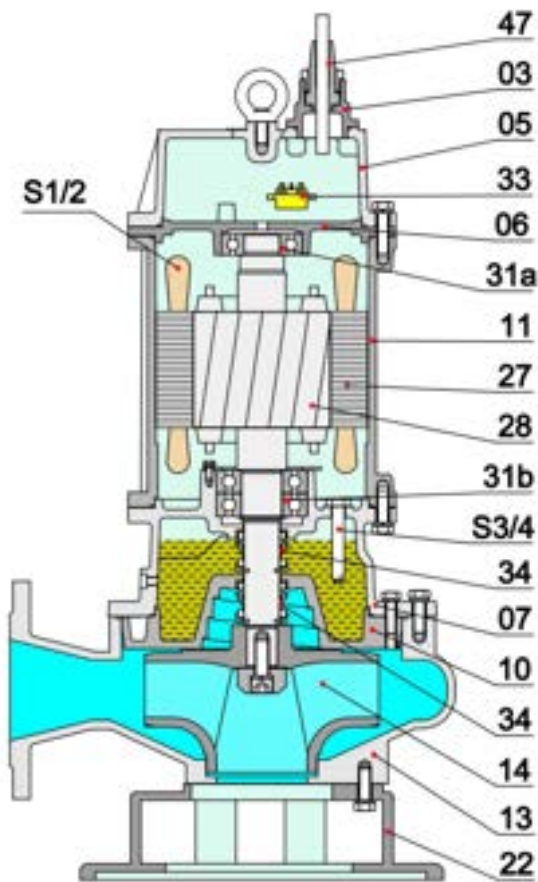
Dimensions in mm.

pumpa[®]

black line

Submersible wastewater pump
PUMPA BLACK LINE BLK

Material version



Number	Components	Material
01	Hose coupling	Cast iron
01a	Hose coupling	Cast iron
03	Terminal box	Cast iron
05	Top cover	Cast iron
06	Upper bearing housing	Cast iron
07	Bearing housing	Cast iron
10	Seal holder	Cast iron
11	Motor casing	Cast iron
13	Pump casing	Cast iron
14	Impeller	LKG
17	Connection adapter	Cast iron
22a	Connection seat	Cast iron
22b	Upper line support	Cast iron
27	Stator	
28	Rotor	Shaft: AISI304SS
30	Flange	Cast iron
31a	Bearing	Ball bearing
31b	Bearing	Ball bearing
33	Motor protection	
34	Mechanical seal	SiC-SiC
47	Cable	
S1/2	Overheating protection (on demand)	
S3/4	Oil leak probe (on demand)	

pumpa[®]

black line

PUMPA BLACK LINE BLC

Submersible wastewater pump

BLACK LINE BLC

Output power: 1,1 - 5,5 kW

Max. head: 42 m

Max. flow: 25 m³/hod



Description

Submersible sewage grinder with canal impeller. Designed for pumping wastewater containing coarse impurities, without abrasive contaminants.

Application

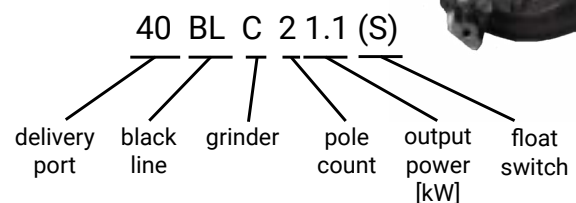
- wastewater pumping
- domestic and industrial applications

Technical specification

Max. immersion depth	10 m
Max. liquid temperature	40 °C
Cable length	8/15 m
Protection	IP 68
Insulation class	F
RPM	2900
pH	6-10

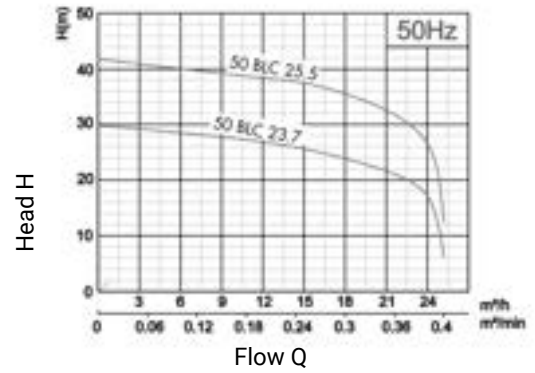
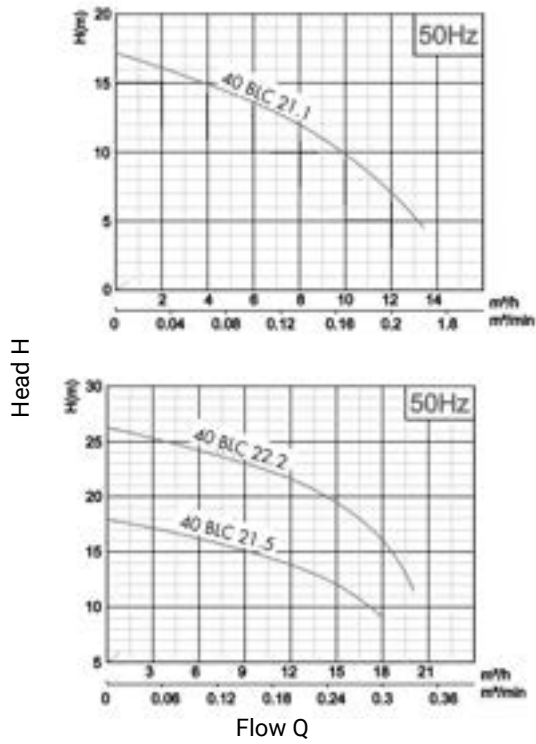
A counterflange with inside thread is included.

Label



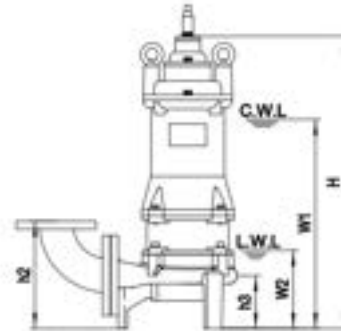
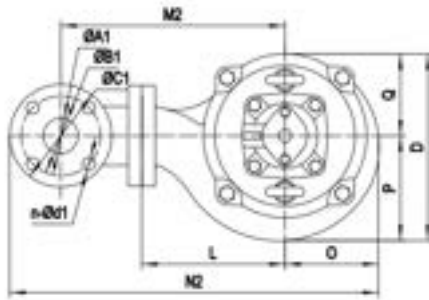
Model	Output power (kW)	Voltage	Delivery port	Rated parameters		Maximum parameters		Lowering device	Float switch
				H (m ³ /h)	Q (m)	Qmax (m ³ /h)	Hmax (m)		
40 BLC 21.1	1,1	400V	DN40	8	12	13	17	40-40	-
40 BLC 21.1 S	1,1	230V	DN40	8	12	13	17	40-40	yes
40 BLC 21.5	1,5	400V	DN40	10	14	18	18	40-40	-
40 BLC 22.2	2,2	400V	DN40	10	22	20	26	40-40	-
50 BLC 23.7	3,7	400V	DN50	15	25	25	30	50-50	-
50 BLC 25.5	5,5	400V	DN50	15	38	25	42	50-50	-

Hydraulic performance curves



Dimensions

Installation (Y) – flanged elbow



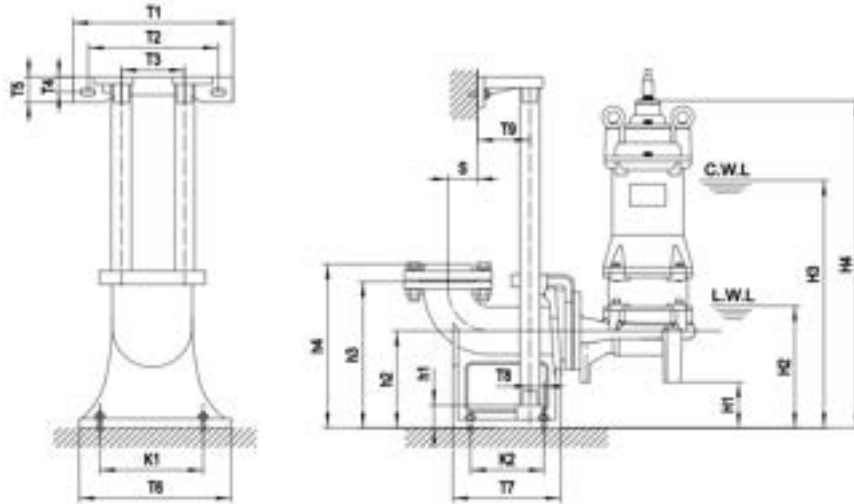
CWL: continuous running water level
LWL: lowest running water level

Model	Ød	G	ØA1	ØB1	ØC1	n-Ød1	h1	h2	h3	W1	W2	H	O	P	Q	L	D	M1	M2	N1	N2
40 BLC 21.1	40	-	40	100	130	4-Ø14	165	185	85	335	125	475	82	85	80	130	165	193	232	295	380
40 BLC 21.1S	40	-	40	100	130	4-Ø14	165	185	85	335	125	515	82	85	80	130	165	193	232	295	380
40 BLC 21.5	40	-	40	100	130	4-Ø14	170	190	90	355	125	525	95	100	100	150	200	210	250	325	410
40 BLC 22.2	40	-	40	100	130	4-Ø14	170	190	90	375	125	545	95	100	100	150	200	210	250	325	410
50 BLC 23.7	50	G1½"	50	110	140	4-Ø14	205	200	100	405	125	610	100	105	100	155	205	220	250	345	420
50 BLC 25.5	50	G1½"	50	110	140	4-Ø14	200	195	95	440	125	635	110	115	105	160	220	225	255	360	435

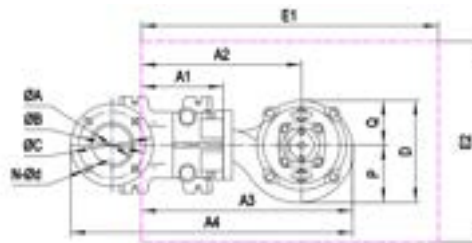
Dimensions in mm.

Submersible wastewater pump
PUMPA BLACK LINE BLC

Installation (Z) - lowering device



CWL: continuous running water level
 LWL: lowest running water level



Lowering device	ØA	ØB	ØC	N-Ød	T1	T2	T3	T4	T5	T6	T7	T8	T9	K1	K2	S	h1	h2	h3	h4
40-40(PN6)	Ø40/ G1½"	100	130	4-Ø14	225	185	70	18	35	110	140	5	65	65	70	60	150	115	195	215
50-50(PN6)	Ø50/ G2"	110	130	4-Ø14	265	215	105	25	42	200	215	15	67	165	135	63	25	160	250	280

Model	Lowering device	H1	H2	H3	H4	A1	A2	A3	A4	P	Q	D	E1xE2	Dimensions and weight		
														N.W	G.W	Dimensions
40 BLC 21.1	40-40(PN6)	32	160	370	510	145	275	360	485	85	80	165	650x550	24,5 kg	26 kg	630x305x275
40 BLC 21.1S	40-40(PN6)	32	160	370	550	145	275	360	485	85	80	165	650x550	25,5 kg	27 kg	630x305x275
40 BLC 21.5	40-40(PN6)	25	155	385	555	145	295	390	515	100	100	200	650x550	35,5 kg	39 kg	630x240x285
40 BLC 22.2	40-40(PN6)	25	155	405	575	145	295	390	515	100	100	200	650x550	38,5 kg	41,5 kg	630x240x285
50 BLC 23.7	50-50(PN6)	60	185	465	670	155	310	410	540	105	100	205	650x550	52 kg	58 kg	720x260x305
50 BLC 25.5	50-50(PN6)	65	195	505	700	155	310	420	550	115	105	220	650x550	65 kg	71 kg	750x280x315

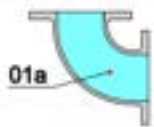
pumpa[®]

black line

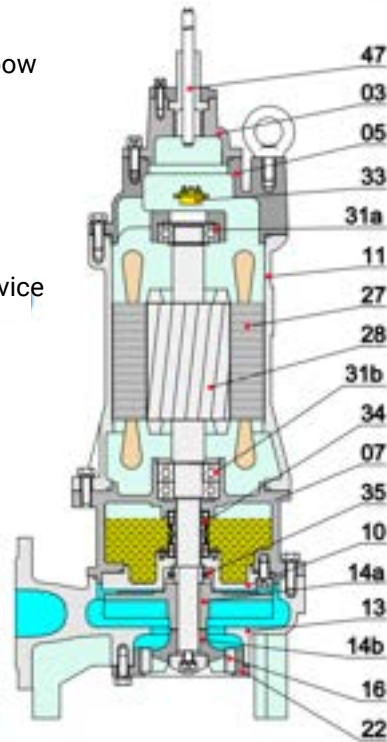
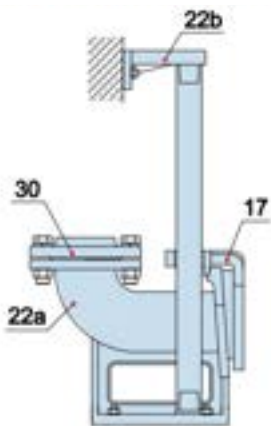
Submersible wastewater pump
PUMPA BLACK LINE BLC

Material version

Installation (Y) – flanged elbow



Installation (Z) - lowering device



Number	Components	Material
01	Hose coupling	Cast iron
01a	Hose coupling	Cast iron
03	Terminal box	Cast iron
05	Top cover	Cast iron
07	Bearing housing	Cast iron
10	Seal holder	Cast iron
11	Motor casing	Cast iron
13	Pump casing	Cast iron
14a	Impeller	Cast iron
14b	Rotary blade	High chromium alloy
16	Stationary blade	High chromium alloy
17	Connection adapter	Cast iron
22	Seat assembly	Cast iron
22a	Connection seat	Cast iron
22b	Upper line support	Cast iron
27	Stator	
28	Rotor	Shaft: AISI304SS
30	Flange	Cast iron
31a	Bearing	Ball bearing
31b	Bearing	Ball bearing
33	Motor protection	
34	Mechanical seal	SiC-SiC/ carbon-ceramic
35	Filter	
47	Cable	

pumpa[®]

black line

PUMPA BLACK LINE BL

Accessories for submersible
wastewater pumps

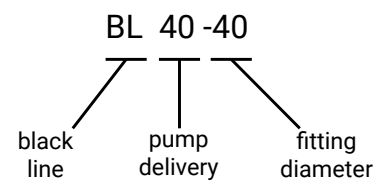
BLACK LINE lowering device

Lowering device for PUMPA black line BLV,
BLK, BLC



Lowering device with automatic clutch includes
a pivot elbow, flange, guide rod holder.
Guide rods not included.

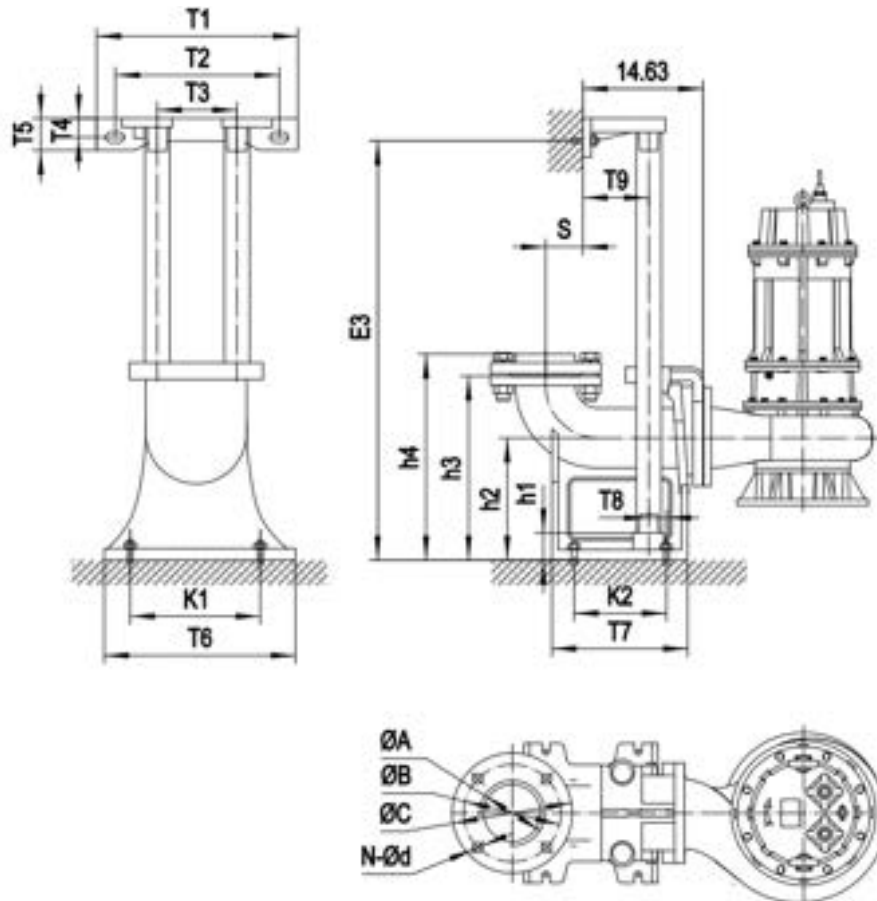
Label



Technical specification

Model	BL 40-40	BL 50-50	BL 65-65	BL 80-80	BL 100-100	BL 150-150
Code	ZB00061150	ZB00061151	ZB00061152	ZB00061153	ZB00061154	ZB00061155
Dimensions LxHxW [mm]	370x260 x195	380x320x245	420x270x345	440x290x395	500x330x475	700x440x660
Weight	13 kg	19,5 kg	27 kg	34,5 kg	50 kg	119 kg
Guide rod diameter	1" / Ø 32 x 3	1" / Ø 32 x 3	1" / Ø 32 x 3	1 1/2" / Ø 48 x 3	1 1/2" / Ø 48 x 3	1 1/2" / Ø 48 x 3

Lowering device BL



Lowering device	ØA	ØB	ØC	N-Ød	T1	T2	T3	T4	T5	T6	T7	T8	T9	K1	K2	S	h1	h2	h3	h4
40-40(PN6)	Ø40/ G1½"	100	130	4-Ø14	225	185	70	18	35	110	140	5	65	65	70	60	150	115	195	215
50-50(PN6)	Ø50/ G2"	110	130	4-Ø14	265	215	105	25	42	200	215	15	67	165	135	63	25	160	250	280
65-65(PN6)	Ø65/ G2½"	130	160	4-Ø14	280	230	125	30	50	230	235	20	70	190	155	90	25	165	265	295
80-80(PN6)	Ø80/ G3"	150	190	4-Ø18	315	265	145	27	50	255	225	30	78	215	155	77	25	190	305	335
100-100(PN6)	Ø100/ G4"	170	210	4-Ø18	365	305	170	32	55	295	260	35	95	265	175	100	25	230	350	380
150-150(PN6)	Ø150	225	265	8-Ø18	400	260	280	24	48	400	410	75	95	280	300	200	390	300	480	-

Dimensions in mm.

pumpa[®]

black line

PUMPA BLACK LINE DELIVERY ELBOW

Accessories for submersible
wastewater pumps

**BLACK LINE
delivery elbow**

Delivery elbow for PUMPA black line BLV,
BLK, BLC.



Model	40-40	50-50	65-65	80-80	100-100	150-150
Code	ZB00061378	ZB00061379	ZB00061380	ZB00061381	ZB00061382	ZB00061383

